



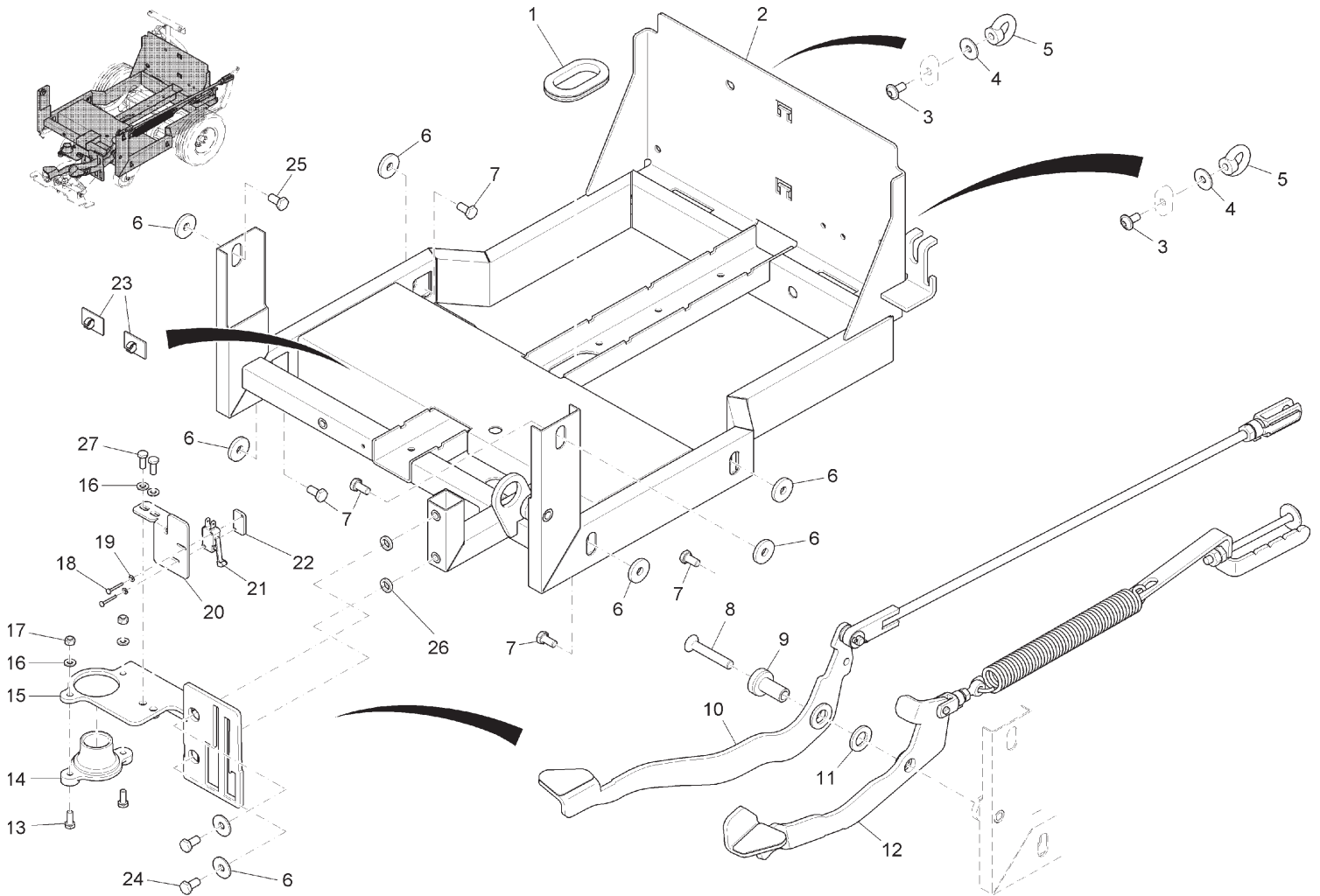
Parts Manual
E33XL Walk-Behind Scrubber

For Safety When Servicing or Maintaining Machine

- Stop on level surface.
- Disconnect the power to the machine by pulling the red Battery Connector located under the recovery tank near the batteries.
- Avoid moving parts. Do not wear loose jackets, shirts, or sleeves when working on machine.
- Avoid contact with battery acid. Battery acid can cause burns. When working on or around batteries, wear protective clothing and safety glasses. Remove metal jewelry. Do not lay tools or metal objects on top of batteries.
- Do not clean machine with a pressure washer.
- Authorized personnel must perform repairs and maintenance. Use Minuteman supplied replacement parts.

| | |
|---|----|
| Chassis Assembly I | 1 |
| Lift Pedal Subassembly | 2 |
| Brush pressure adjustment Subassembly | 3 |
| Chassis Assembly II | 4 |
| Traction Drive Motor Subassembly | 5 |
| Chassis Assembly III | 6 |
| Water Supply Subassembly I | 7 |
| Water Supply Subassembly II | 8 |
| Squeegee Connection Subassembly I | 9 |
| Squeegee Connection Subassembly II | 10 |
| Squeegee Connection Subassembly I | 11 |
| Squeegee Connection Subassembly II | 12 |
| Battery Tray Assembly | 13 |
| Solution Tank Assembly | 14 |
| Recovery Tank Assembly | 15 |
| Lifting Device Subassembly | 16 |
| Vacuum Motor Assembly | 17 |
| Squeegee Lift Handle Assembly | 18 |
| Squeegee Lock Assembly | 19 |
| Squeegee Assembly I | 20 |
| Squeegee Assembly II | 21 |
| Control Panel Assembly | 22 |
| Console Subassembly | 23 |
| Electrical Assembly I | 24 |
| Retainer Subassembly | 25 |
| Electrical Assembly II | 26 |
| Battery Charger Assembly | 27 |
| Machine Labels | 28 |
| Disc Scrub Deck Assembly I | 29 |
| Disc Scrub Deck Assembly II | 30 |
| Disc Scrub Deck Assembly III | 31 |

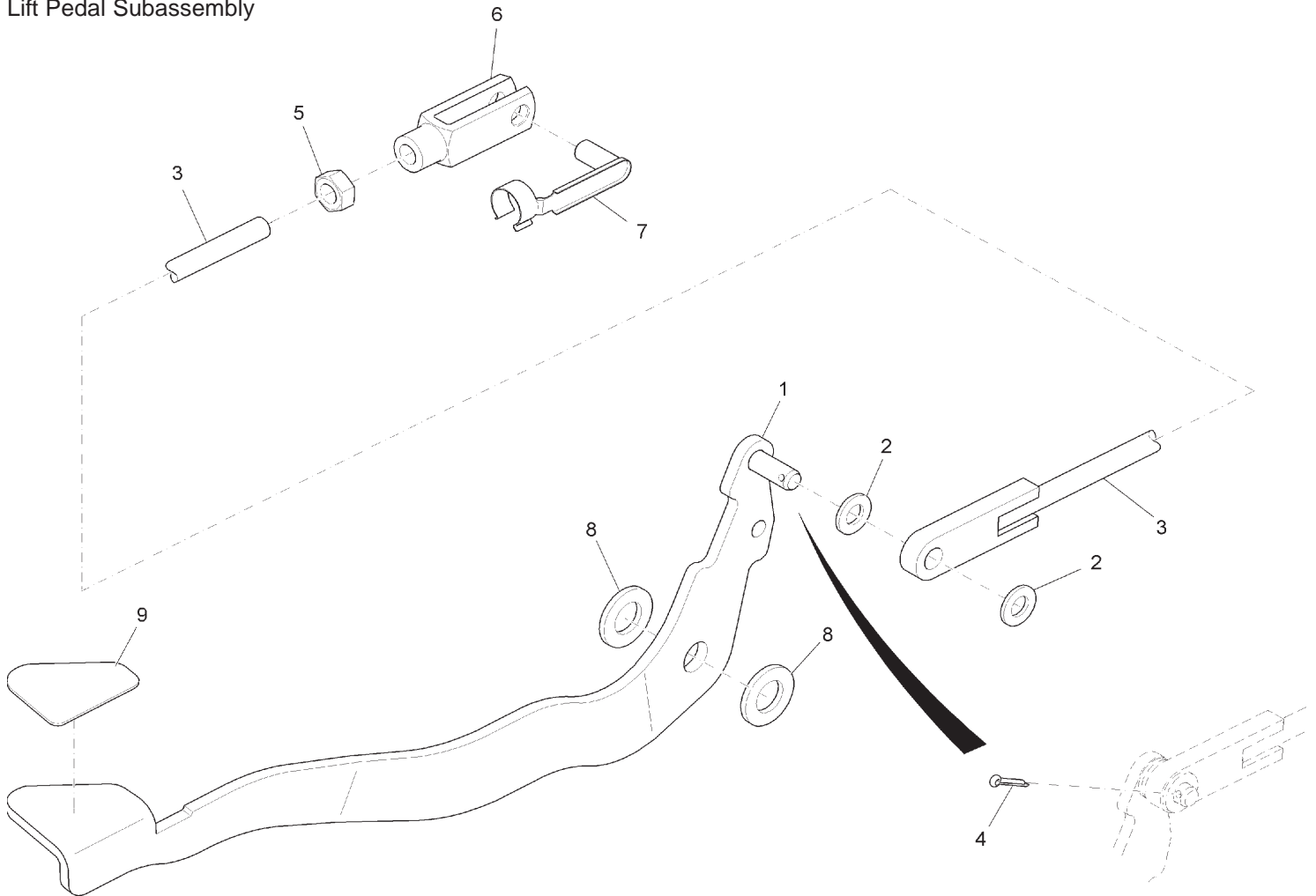
Chassis Assembly I



Bill of Material - 97094783-1

| Item | Spare part number | Mat. No. | Qty. | Description | Note |
|------|-------------------|----------|------|---------------------------|------------------------|
| 1 | 01078440 | 90513367 | 1 | Grommet | |
| 2 | 03007640 | 96116405 | 1 | Chassis | |
| 3 | 01006820 | 11177128 | 2 | Lens flange screw | |
| 4 | 00042900 | 12332029 | 4 | Washer | |
| 5 | 01078450 | 12160024 | 2 | Nut | |
| 6 | 00047990 | 12515086 | 10 | Disk wheel | |
| 7 | 00053080 | 11038197 | 8 | Hexagon screw | |
| 8 | 01078140 | 11225620 | 1 | Countersunk screw | |
| 9 | 01077800 | 90509522 | 1 | Bushing | |
| 10 | 97093181 | | 1 | Lifting pedal | ITEM HAS SUBASSEMBLIES |
| 11 | 00053790 | 12310082 | 1 | Washer | |
| 12 | 97093272 | | 1 | Brush pression adjustment | ITEM HAS SUBASSEMBLIES |
| 13 | 00053020 | 11038098 | 2 | Hexagon screw | |
| 14 | 01077780 | 90508391 | 1 | Bushing | |
| 15 | 01079680 | 96117387 | 1 | Sheet metal | |
| 16 | 00053730 | 12310033 | 4 | Washer | |
| 17 | 00051520 | 12040044 | 2 | Hexagon nut | |
| 18 | 00022180 | 11039088 | 2 | Hex.bolt | |
| 19 | 00553740 | 12310132 | 2 | Washer | |
| 20 | 01170010 | 90528787 | 1 | Retainer | |
| 21 | 00975510 | 90306002 | 1 | Micro switch | |
| 22 | 01074840 | 90471483 | 1 | Thread base plate | |
| 23 | 01143190 | 17526070 | 2 | Cable clip | |
| 24 | 00053100 | 11038247 | 2 | Hexagon screw | |
| 25 | 00553690 | 11038635 | 1 | Hex.bolt | |
| 26 | 01079670 | 90525692 | 2 | Spacer sleeve | |
| 27 | 00053010 | 11038072 | 2 | Hex.bolt | |

Chassis Assembly I
Lift Pedal Subassembly

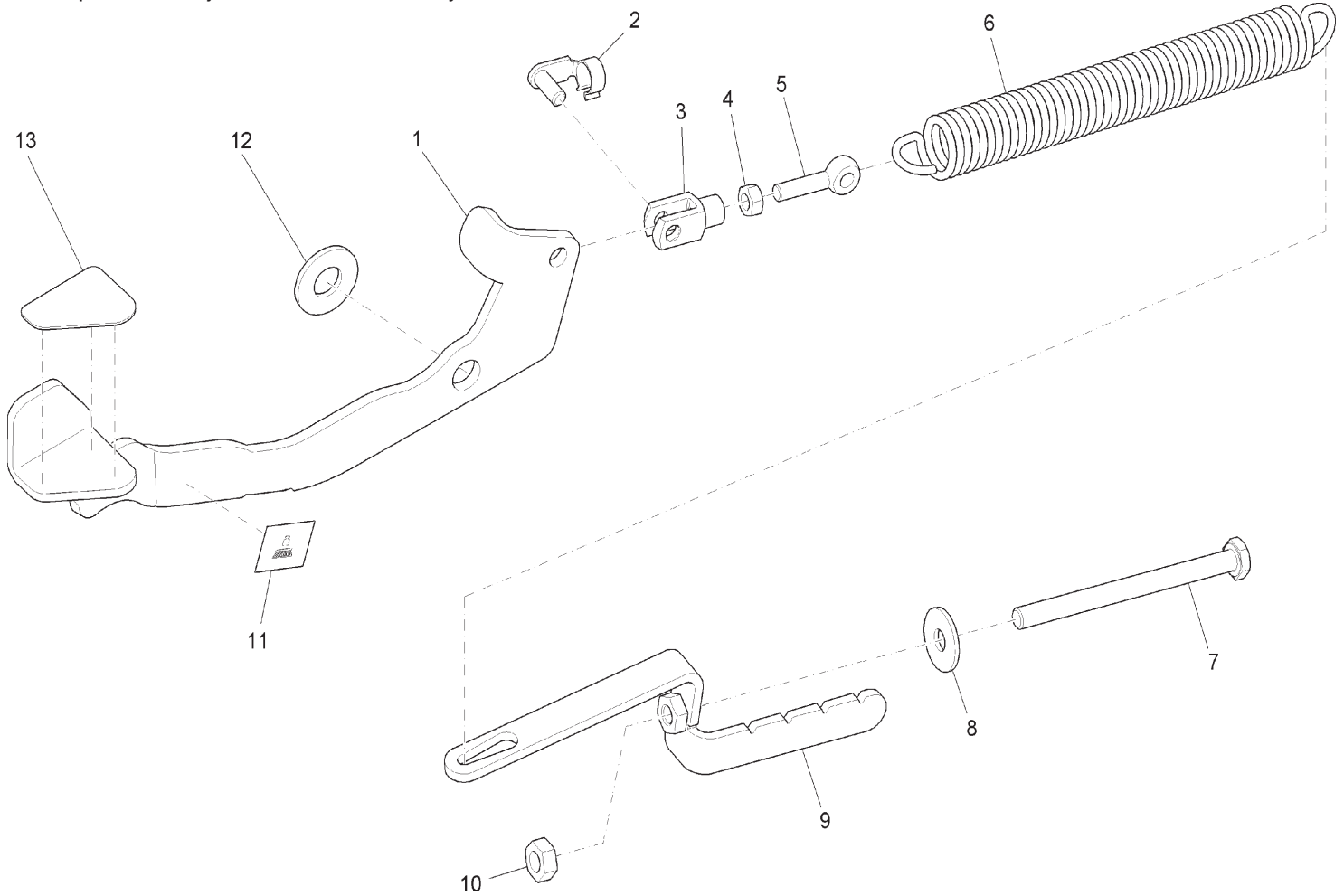


Bill of Material - 97093181

| Item | Spare part number | Mat. No. | Qty. | Description |
|------|-------------------|----------|------|---------------|
| 1 | 01170020 | 96117361 | 1 | Lifting pedal |
| 2 | 00053760 | 12310058 | 2 | Washer |
| 3 | 01077930 | 96111877 | 1 | Rod |
| 4 | 00551410 | 13280110 | 1 | Cotter pin |
| 5 | 00053360 | 12022067 | 1 | Hexagon nut |
| 6 | 00925430 | 16055063 | 1 | Fork yoke |
| 7 | 00925420 | 13390042 | 1 | Bolt |
| 8 | 01078240 | 90510017 | 2 | Washer |
| 9 | 01078560 | 90518580 | 1 | Decal |

Chassis Assembly I

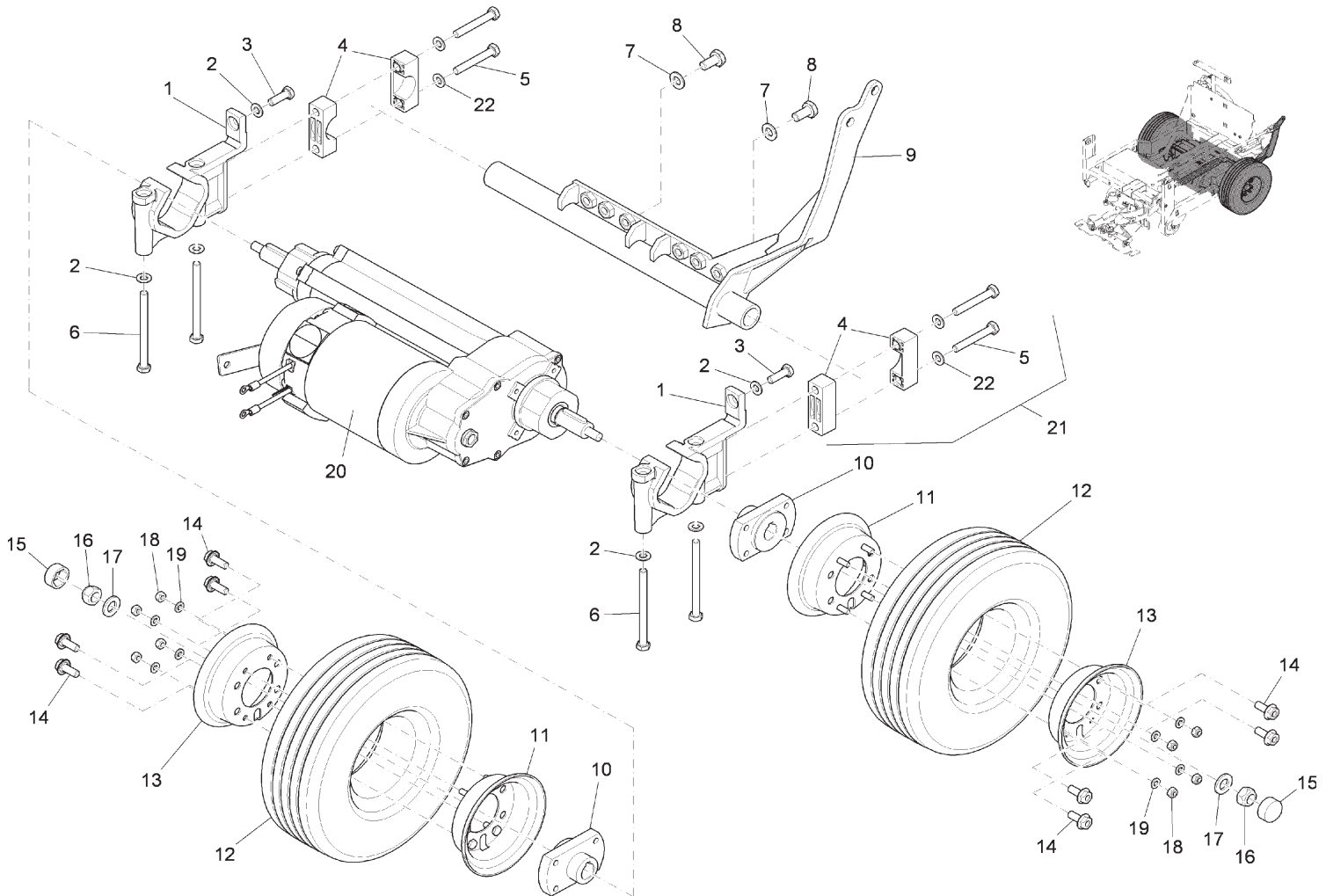
Brush pressure adjustment Subassembly



Bill of Material - 97093272

| Item | Spare part number | Mat. No. | Qty. | Description |
|------|-------------------|----------|------|----------------------|
| 1 | 01078550 | 96113949 | 1 | Pedal |
| 2 | 00151400 | 13390059 | 1 | Bolt |
| 3 | 00151440 | 16055089 | 1 | Fork yoke |
| 4 | 00053350 | 12022059 | 1 | Hexagon nut |
| 5 | 00735690 | 11518180 | 1 | Eye bolt |
| 6 | 01077770 | 90504242 | 1 | Tension spring |
| 7 | 01031550 | 11039716 | 1 | Hexagon screw |
| 8 | 00046520 | 12332037 | 1 | Washer |
| 9 | 01078500 | 96111505 | 1 | Sheet metal |
| 10 | 00053360 | 12022067 | 1 | Hexagon nut |
| 11 | 01074580 | 17264870 | 1 | Decal BRUSH PRESSURE |
| 12 | 01078240 | 90510017 | 1 | Washer |
| 13 | 01078560 | 90518580 | 1 | Decal |

Chassis Assembly II

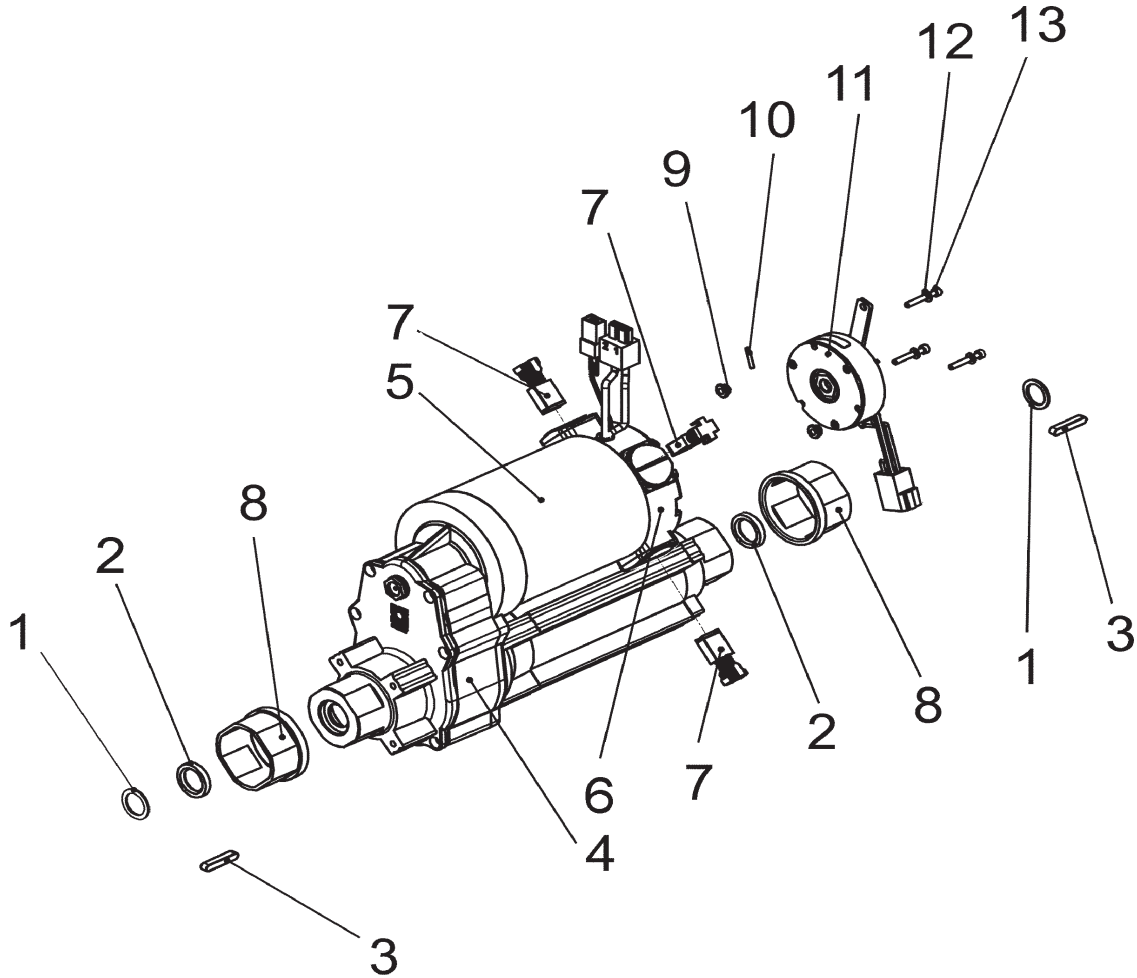


Bill of Material - 97094783-2

| Item | Spare part number | Mat. No. | Qty. | Description | Note |
|------|-------------------|----------|------|---------------------|---|
| 1 | 01078480 | 90512062 | 2 | Bearing AMER | |
| 2 | 00053750 | 12310041 | 10 | Washer | |
| 3 | 00053100 | 11038247 | 1 | Hexagon screw | |
| 4 | 01078020 | 90547811 | 4 | Block | from appr. march 2008; if you want to exchange older blocks, please order item 21 |
| 5 | 00053260 | 11038296 | 4 | Hex.bolt | |
| 6 | 00053140 | 11032273 | 4 | Hex.bolt | |
| 7 | 00053760 | 12310058 | 2 | Washer | |
| 8 | 00021130 | 11038353 | 2 | Hex.bolt | |
| 9 | 01078490 | 96116009 | 1 | Lever | |
| 10 | 01078010 | 90510116 | 2 | Hub | |
| 11 | 00621690 | 96057013 | 2 | Rim half | |
| 12 | 01056130 | 90398165 | 2 | Tyre | |
| 13 | 00621710 | 90251869 | 2 | Rim | |
| 14 | 00959310 | 11717022 | 8 | Hex.bolt | |
| 15 | 01031540 | 15592058 | 2 | protection cap | |
| 16 | 00051490 | 12040077 | 2 | Hexagon nut | |
| 17 | 00053770 | 12310066 | 2 | Washer | |
| 18 | 00051520 | 12040044 | 8 | Hexagon nut | |
| 19 | 00053730 | 12310033 | 8 | Washer | |
| 20 | 01171400 | 90539750 | 1 | Traction drive B120 | ITEM HAS SUBASSEMBLIES |
| 21 | 00008980 | 97057814 | 1 | Block | incl. items 4,5,22: please order kit, it's necessary to exchange all 4 blocks |
| 22 | 00042900 | 12332029 | 4 | Washer | |

Chassis Assembly II

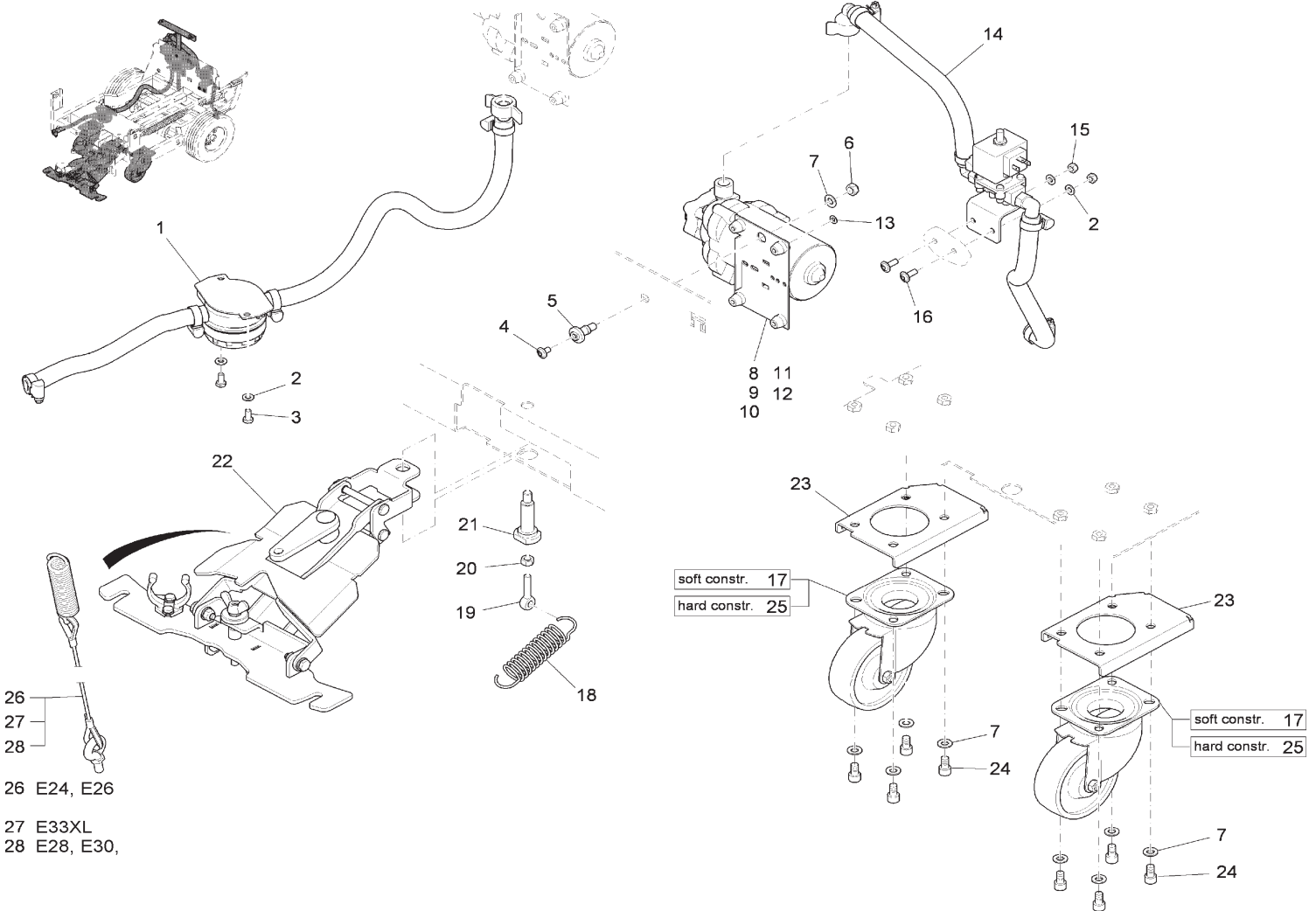
Traction Drive Motor Subassembly



Bill of Material - 01171400

| Item | Spare part number | Mat. No. | Qty. | Description |
|------|-------------------|----------|------|---------------------|
| 1 | 01077430 | 01077430 | 2 | Washer |
| 2 | XXXXXXXX | | 2 | Gasket |
| 3 | 01077410 | 01077410 | 2 | Fitting key |
| 4 | XXXXXXXX | | 1 | Gear box with shaft |
| 5 | XXXXXXXX | | 1 | Motor |
| 6 | XXXXXXXX | | 1 | End cap cpl |
| 7 | XXXXXXXX | | 4 | Carbon brush |
| 8 | 01077400 | 01077400 | 2 | Bushing |
| 9 | 01077380 | 01077380 | 4 | Nut |
| 10 | XXXXXXXX | | 1 | Spring pin |
| 11 | XXXXXXXX | | 1 | Parking brake |
| 12 | XXXXXXXX | | 3 | Plain washer |
| 13 | XXXXXXXX | | 3 | Screw |

Chassis Assembly III



- 26 E24, E26
- 27 E33XL
- 28 E28, E30,

Bill of Material - 97094783-3

| Item | Spare part number | Mat. No. | Qty. | Description |
|------|-------------------|----------|------|-------------------------|
| 1 | 97094981 | | 1 | Water supply |
| 2 | 00053730 | 12310033 | 4 | Washer |
| 3 | 00104500 | 11038064 | 2 | Hexagon screw |
| 4 | 01072520 | 11177179 | 1 | Lens flange screw |
| 5 | 01077820 | 90513243 | 1 | Bushing |
| 6 | 00051510 | 12040051 | 1 | Hexagon nut |
| 7 | 00053750 | 12310041 | 9 | Washer |
| 8 | 00543750 | 90329095 | 1 | Pump |
| 9 | 00559670 | 19725035 | 1 | Case |
| 10 | 00083640 | 19791029 | 1 | Plastic cover |
| 11 | 00083650 | 19791037 | 1 | Plastic cover |
| 12 | 00903190 | 19724020 | 1 | Tab |
| 13 | 00053720 | 12310025 | 1 | Washer |
| 14 | 97094999 | | 1 | Water supply |
| 15 | 00051520 | 12040044 | 2 | Hexagon nut |
| 16 | 01017640 | 11177060 | 2 | Lens flange screw |
| 17 | 01079660 | 90495037 | 2 | Steering roller |
| 18 | 01078150 | 90523333 | 1 | Tension spring |
| 19 | 00735690 | 11518180 | 1 | Eye bolt |
| 20 | 00046500 | 12012019 | 1 | Hex. Nut |
| 21 | 01077830 | 90513573 | 1 | Pivot |
| 22 | 03008100 | 97103568 | 1 | Suction unit connection |
| 23 | XXXXXXXX | 90540626 | 2 | Sheet metal |
| 24 | 00103300 | 11126067 | 8 | Socket head screw |
| 25 | 01079440 | 90537879 | 2 | Steering roller |
| 26 | 01077980 | 96112370 | 1 | Linkage |
| 27 | 01170560 | 96115456 | 1 | Linkage |
| 28 | 01170620 | 96117510 | 1 | Linkage |

Note
ITEM HAS SUBASSEMBLIES

ITEM HAS SUBASSEMBLIES

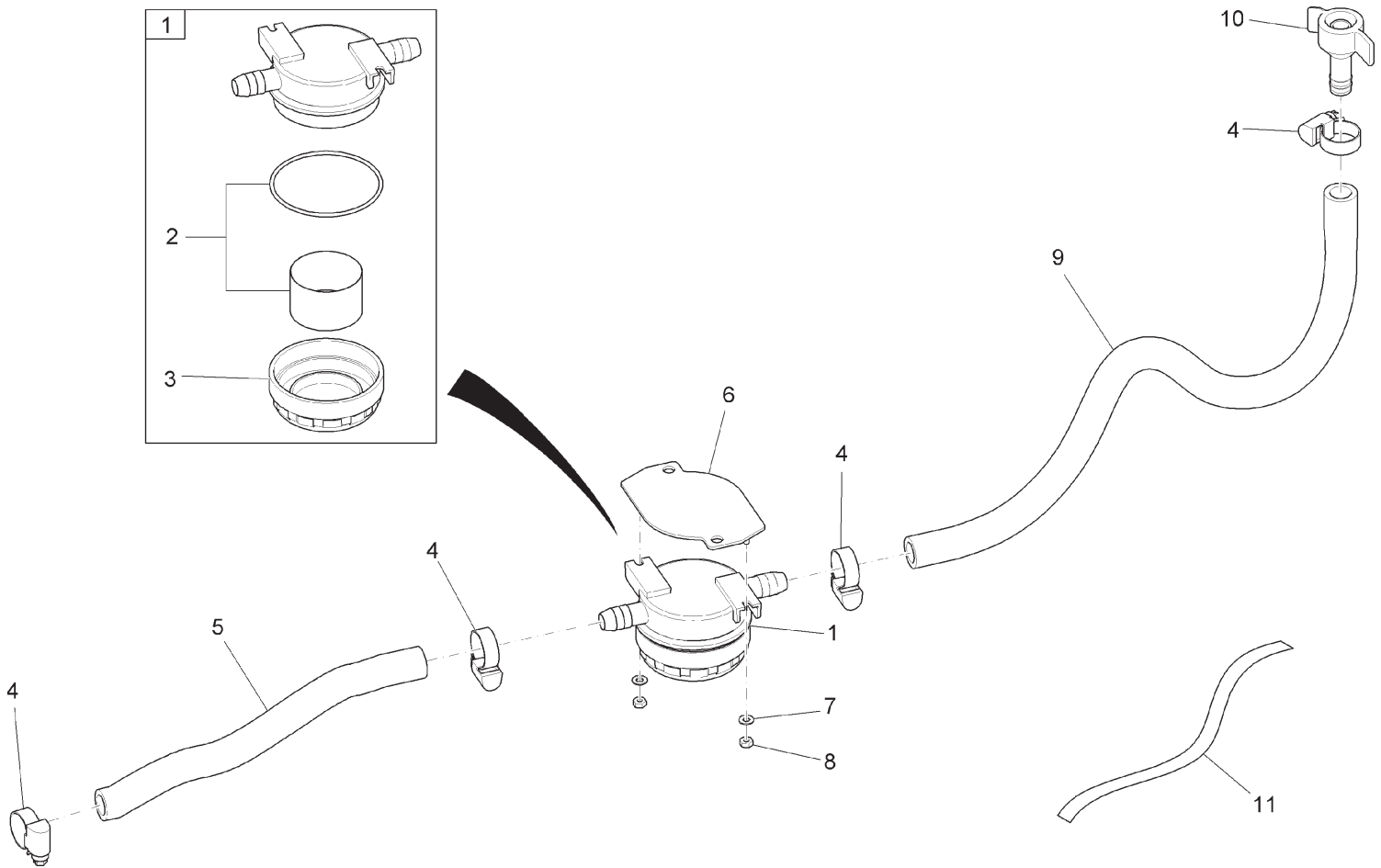
Soft construction

ITEM HAS SUBASSEMBLIES (97099915-1+2; 03008100BT10+20)

Hard construction
with E24, E26
with E33XL
with E28, E30, E33

Chassis Assembly III

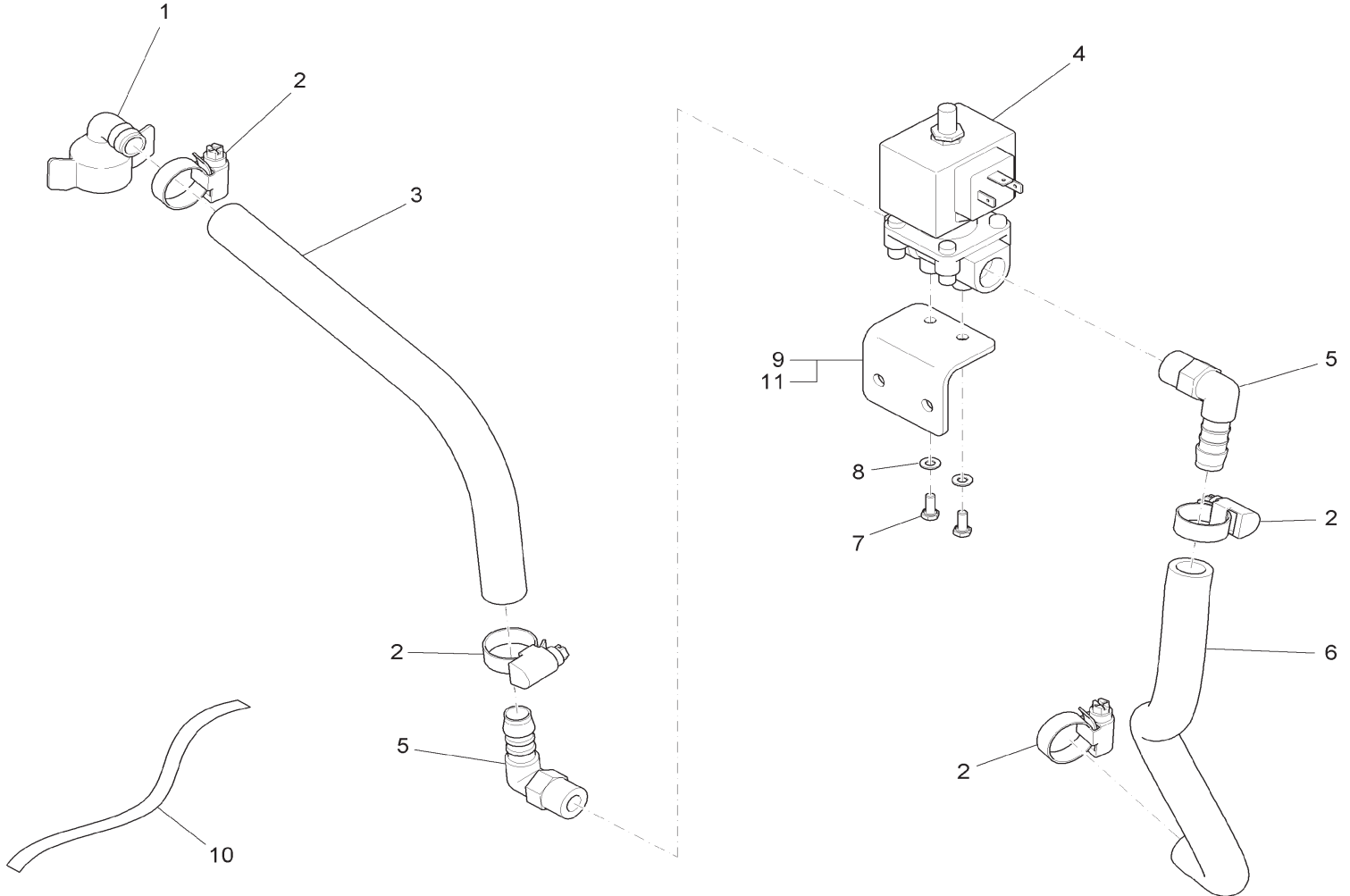
Water Supply Subassembly I



Bill of Material - 97094981

| Item | Spare part number | Mat. No. | Qty. | Description | Note |
|------|-------------------|----------|-------|------------------|----------------------|
| 1 | 01077170 | 90522640 | 1 | Water filter | |
| 2 | 01079170 | 01079170 | 1 | filter cartridge | complete with o-ring |
| 3 | 01076500 | 01076500 | 1 | Screw cap | |
| 4 | 01015350 | 17533159 | 4 | Hose clamp | |
| 5 | 00200170 | 25842055 | 300mm | PVC hose | |
| 6 | 01078510 | 96115035 | 1 | Sheet metal | |
| 7 | 00053710 | 12310017 | 2 | Washer | |
| 8 | 00133830 | 12040028 | 2 | Hex. Nut | |
| 9 | 00200170 | 25842055 | 480mm | PVC hose | |
| 10 | 01071450 | 90432071 | 1 | Screwing | |
| 11 | 03007630 | 25743014 | 1 | Sealing band | |

Chassis Assembly III
Water Supply Subassembly II

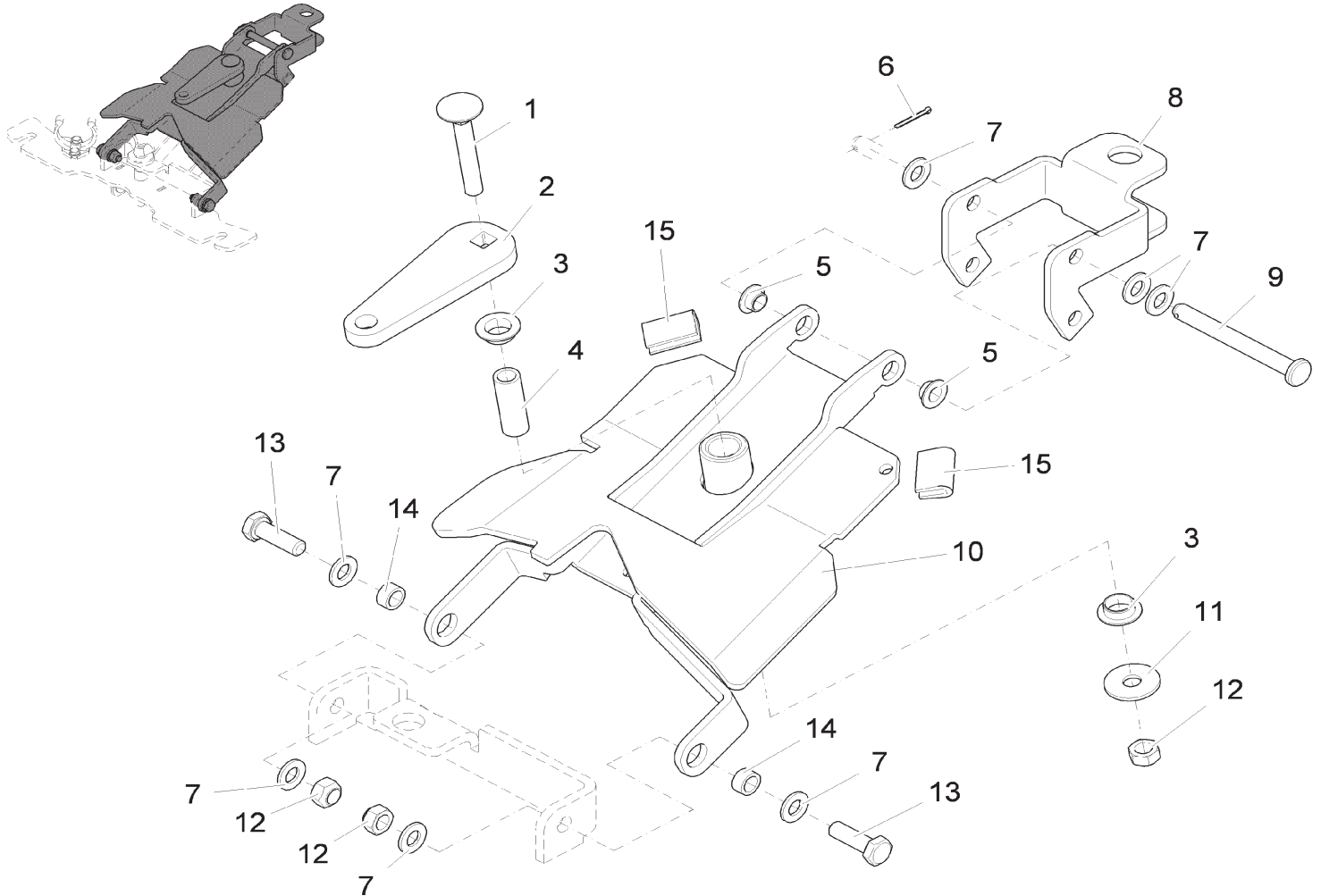


Bill of Material - 97094999

| Item | Spare part number | Mat. No. | Qty. | Description |
|------|-------------------|----------|------|-----------------------|
| 1 | 00154140 | 90330168 | 1 | Screwed angle fitting |
| 2 | 01015350 | 17533159 | 4 | Hose clamp |
| 3 | 00200170 | 25842055 | 1 | PVC hose |
| 4 | 01071000 | 90435595 | 1 | Electrovalve |
| 5 | 00020020 | 90174970 | 2 | Angle socket |
| 6 | 00200170 | 25842055 | 1 | PVC hose |
| 7 | 00058580 | 11038965 | 2 | Hex.bolt |
| 8 | 00053710 | 12310017 | 2 | Washer |
| 9 | 01170030 | 90524885 | 1 | Retainer |
| 10 | 03007630 | 25743014 | 1 | Sealing band |

Chassis Assembly III

Squeegee Connection Subassembly I

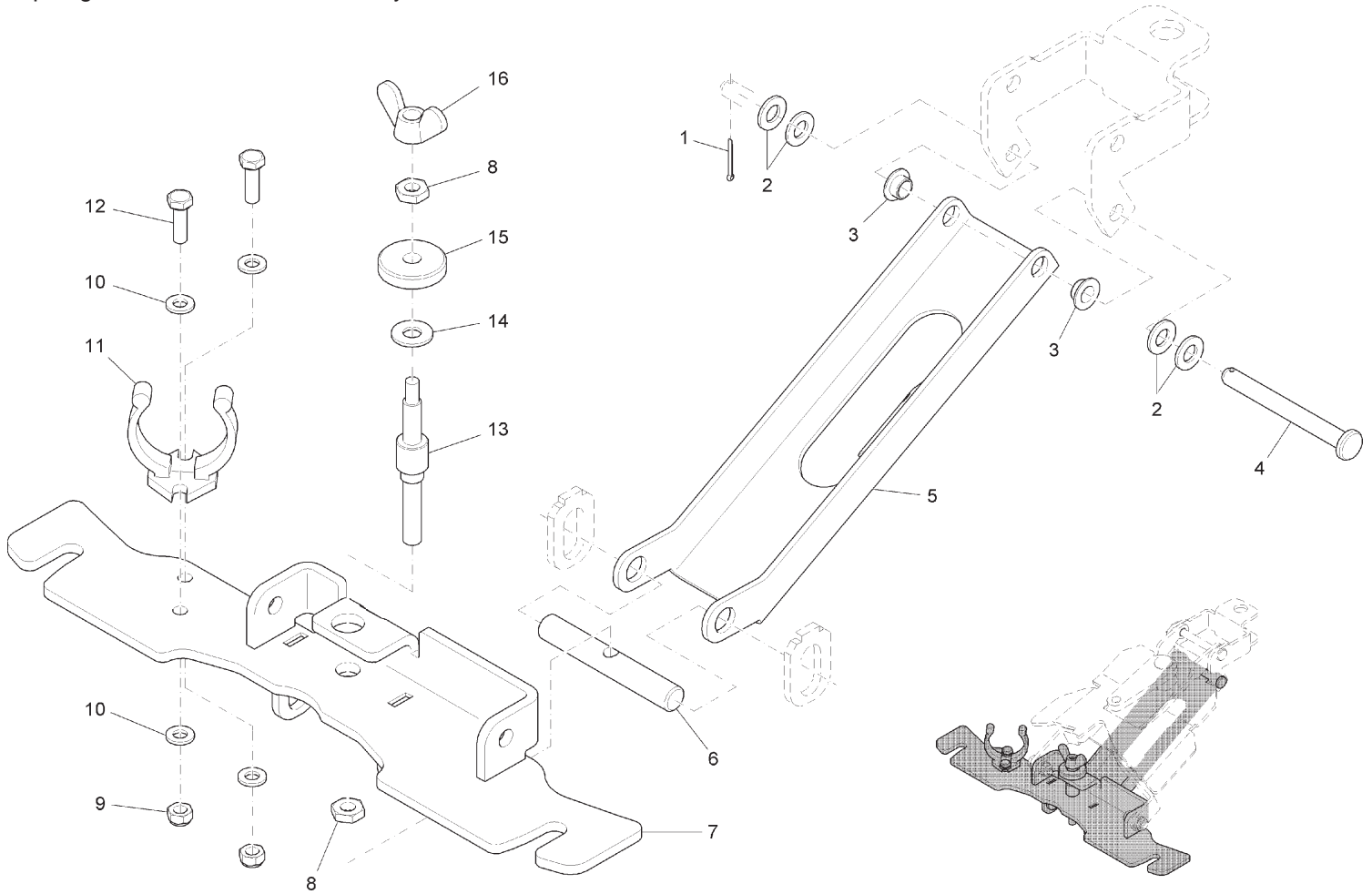


Bill of Material - 97099915-1 Squeegee connection (until appr. 15. Apr. 2008) part 1

| Item | Spare part number | Qty. | Description |
|------|-------------------|------|---------------------------|
| 1 | 01130940 | 1 | Cup head square neck bolt |
| 2 | 01170040 | 1 | Sheet metal |
| 3 | 01077510 | 2 | Slide bearing bush |
| 4 | 01170160 | 1 | Pipe |
| 5 | 01078230 | 2 | Slide bearing bush |
| 6 | 00054860 | 1 | Cotter pin |
| 7 | 00053750 | 5 | Washer |
| 8 | 01079280 | 1 | Round part |
| 9 | 01078220 | 1 | Bolt |
| 10 | 01079290 | 1 | Sheet metal |
| 11 | 00042900 | 1 | Washer |
| 12 | 00051510 | 3 | Hexagon nut |
| 13 | 00053100 | 2 | Hexagon screw |
| 14 | 01077700 | 2 | Bushing |
| 15 | 00161240 | 1 | Edge protection |

Chassis Assembly III

Squeegee Connection Subassembly II

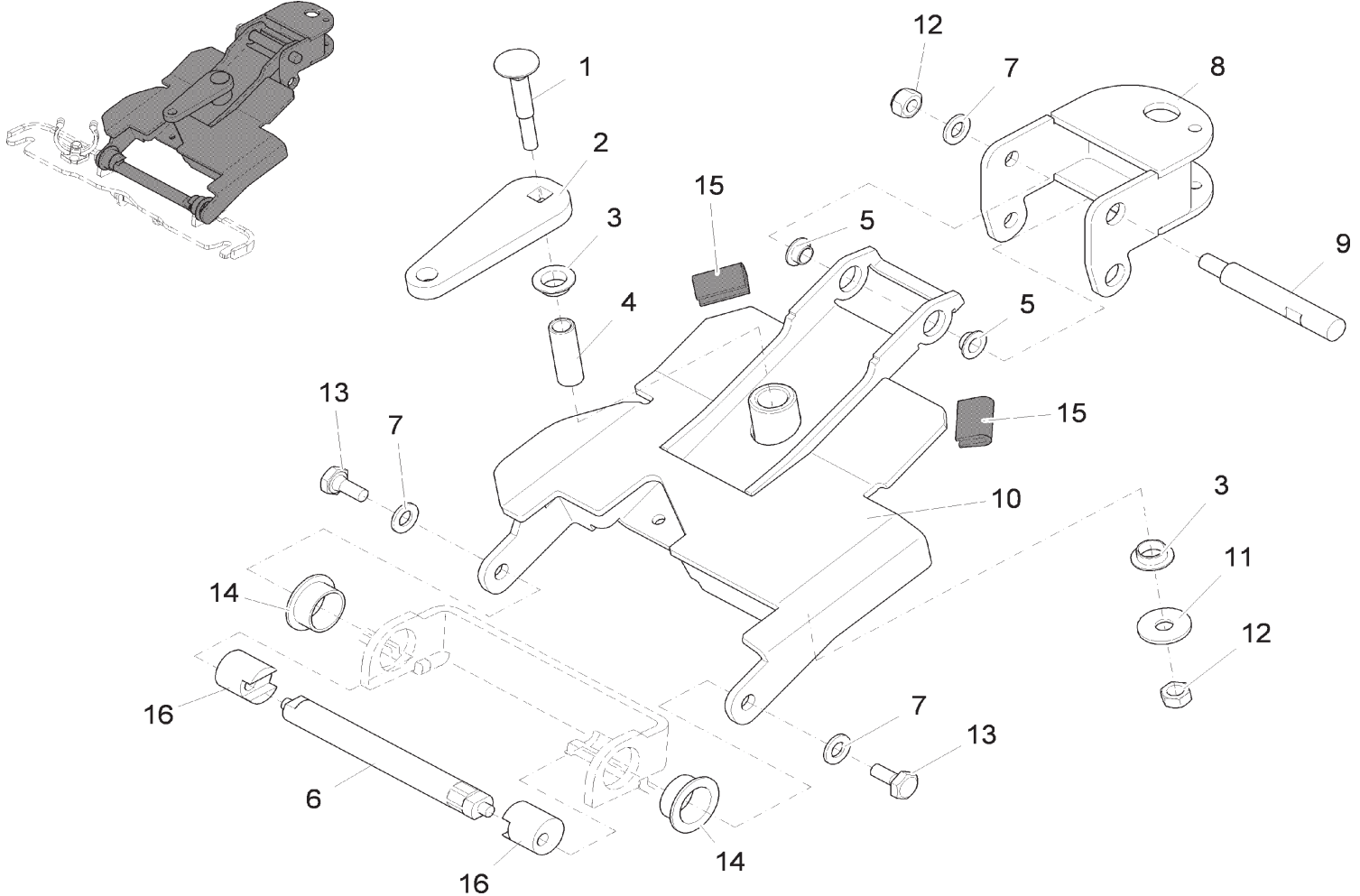


Bill of Material - 97099915-2 Squeegee connection (until appr. 15. Apr. 2008) part 2

| Item | Spare part number | Qty. | Description |
|------|-------------------|------|--------------------|
| 1 | 00054860 | 1 | Cotter pin |
| 2 | 00053750 | 1 | Washer |
| 3 | 01078230 | 2 | Slide bearing bush |
| 4 | 01170050 | 1 | Bolt |
| 5 | 01079320 | 1 | Draft link |
| 6 | 01077680 | 1 | Bolt |
| 7 | 01079330 | 1 | Sheet metal |
| 8 | 00046500 | 2 | Hex. Nut |
| 9 | 00051520 | 2 | Hexagon nut |
| 10 | 00053730 | 4 | Washer |
| 11 | 01078120 | 1 | Hose support |
| 12 | 00053020 | 2 | Hexagon screw |
| 13 | 01077850 | 1 | Threaded pin |
| 14 | 00042900 | 1 | Washer |
| 15 | 00051510 | 1 | Hexagon nut |
| 16 | 00054020 | 1 | Wing nut |
| 17 | 00053330 | 1 | Hexagon nut |

Chassis Assembly III

Squeegee Connection Subassembly I

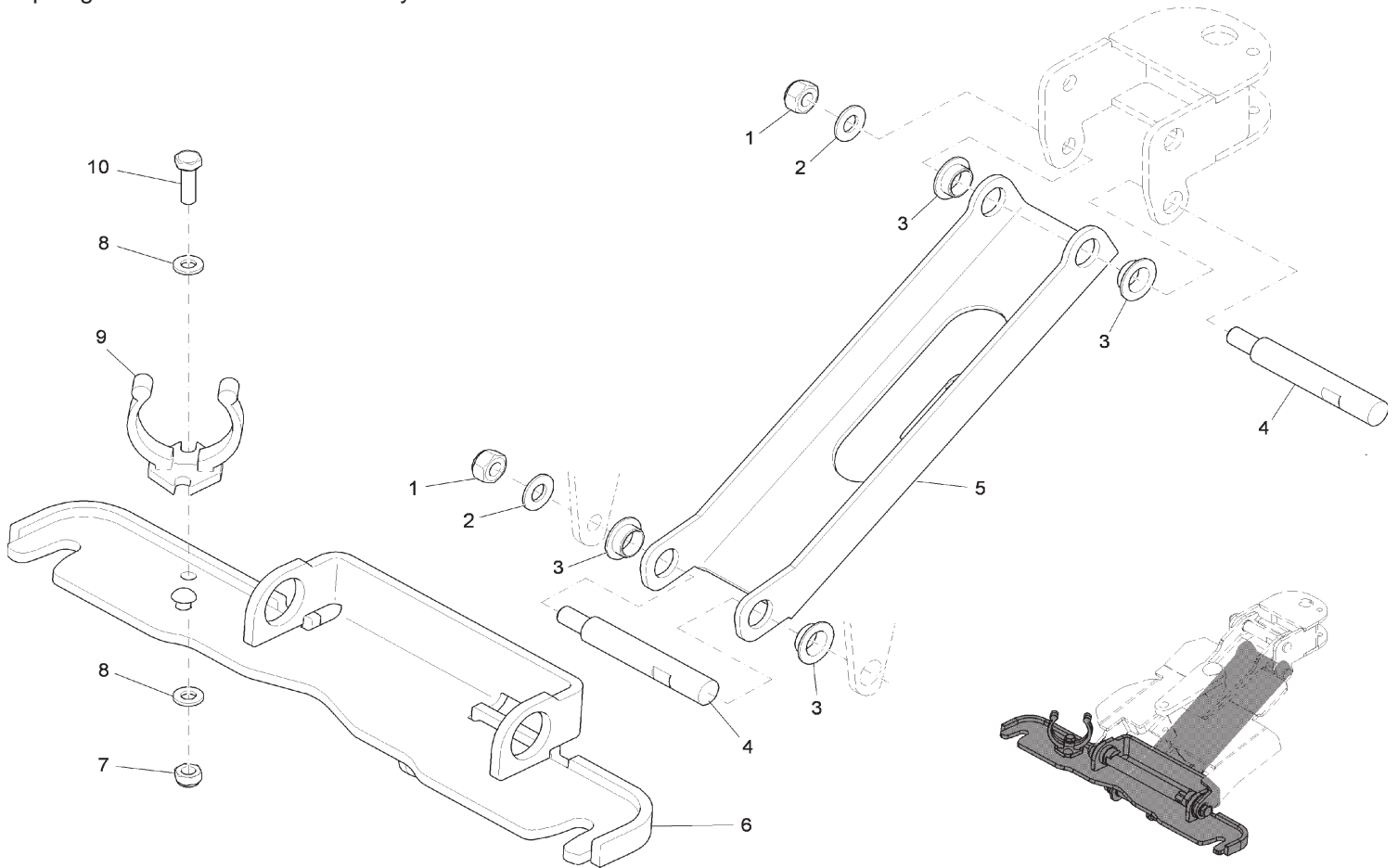


Bill of Material - 03008100BT10 Squeegee connection (from appr. 15. Apr. 2008) part 1

| Item | Spare part number | Qty. | Description |
|------|-------------------|------|---------------------------|
| 1 | 01130940 | 1 | Cup head square neck bolt |
| 2 | 01170040 | 1 | Sheet metal |
| 3 | 01077510 | 2 | Slide bearing bush |
| 4 | XXXXXXXXXX | 1 | no part-No. til yet |
| 5 | 01171330 | 2 | Slide bearing bush |
| 6 | 01171360 | 1 | Shaft |
| 7 | 00101550 | 3 | Washer |
| 8 | 01171290 | 1 | Round part |
| 9 | XXXXXXXXXX | 3 | no part-No. til yet |
| 10 | 01171300 | 1 | Sheet metal |
| 11 | 00042900 | 1 | Washer |
| 12 | 00101540 | 4 | Hexagon nut |
| 13 | 01071740 | 2 | Hex.bolt |
| 14 | 01130470 | 2 | Slide bearing bush |
| 15 | 00161240 | 60mm | Edge protection |
| 16 | 01171370 | 2 | Excentric |

Chassis Assembly III

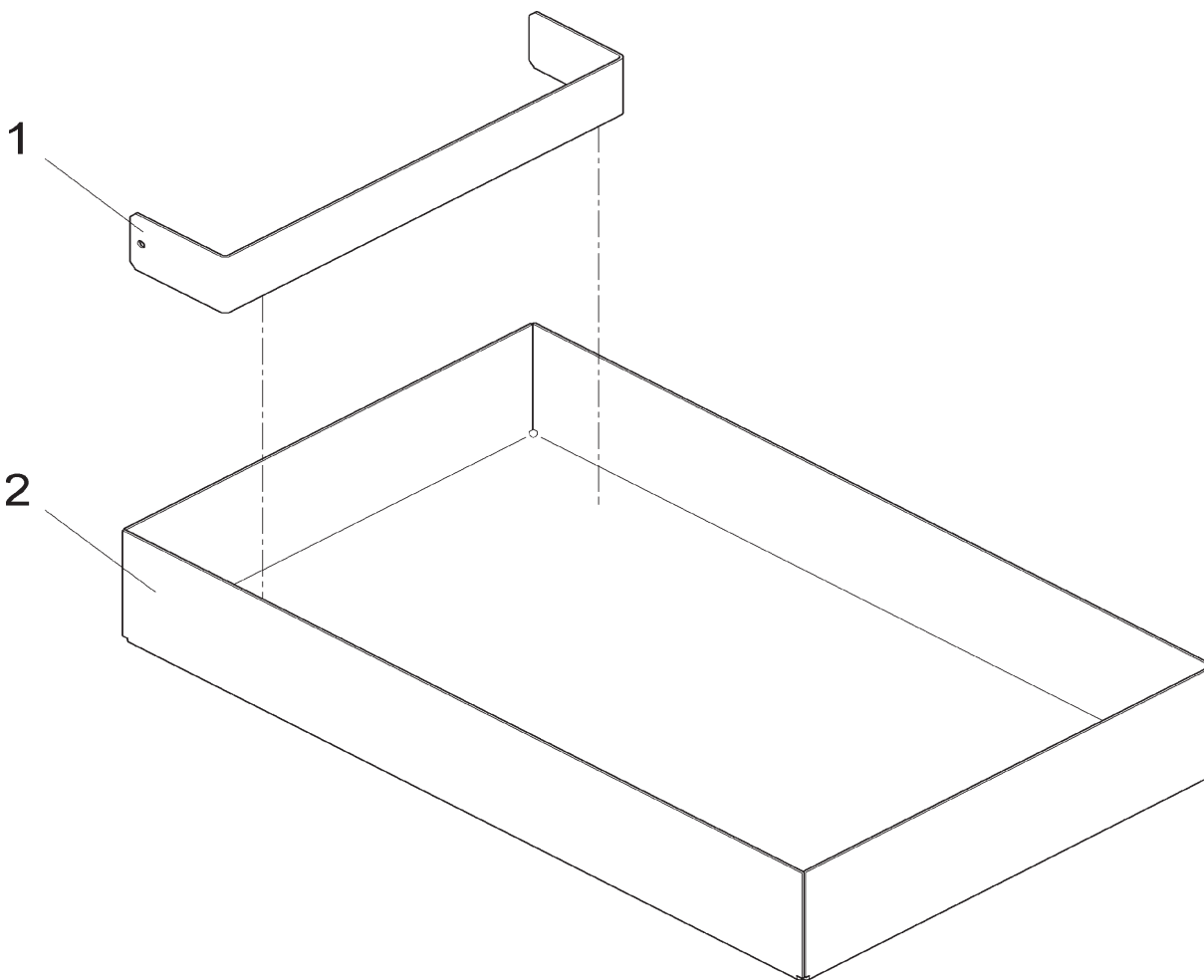
Squeegee Connection Subassembly II



Bill of Material - 03008100BT20 Squeegee connection (from appr. 15. Apr. 2008) part 2

| Item | Spare part number | Qty. | Description |
|------|-------------------|------|--------------------|
| 1 | 00101540 | 2 | Hexagon nut |
| 2 | 00101550 | 2 | Washer |
| 3 | 01171330 | 2 | Slide bearing bush |
| 4 | XXXXXXXX | 3 | Threaded bolt |
| 5 | 01171280 | 1 | Draft link |
| 6 | 01171310 | 1 | Sheet metal |
| 7 | 00051520 | 1 | Hexagon nut |
| 8 | 00053730 | 2 | Washer |
| 9 | 01078120 | 1 | Hose support |
| 10 | 00053020 | 1 | Hexagon screw |

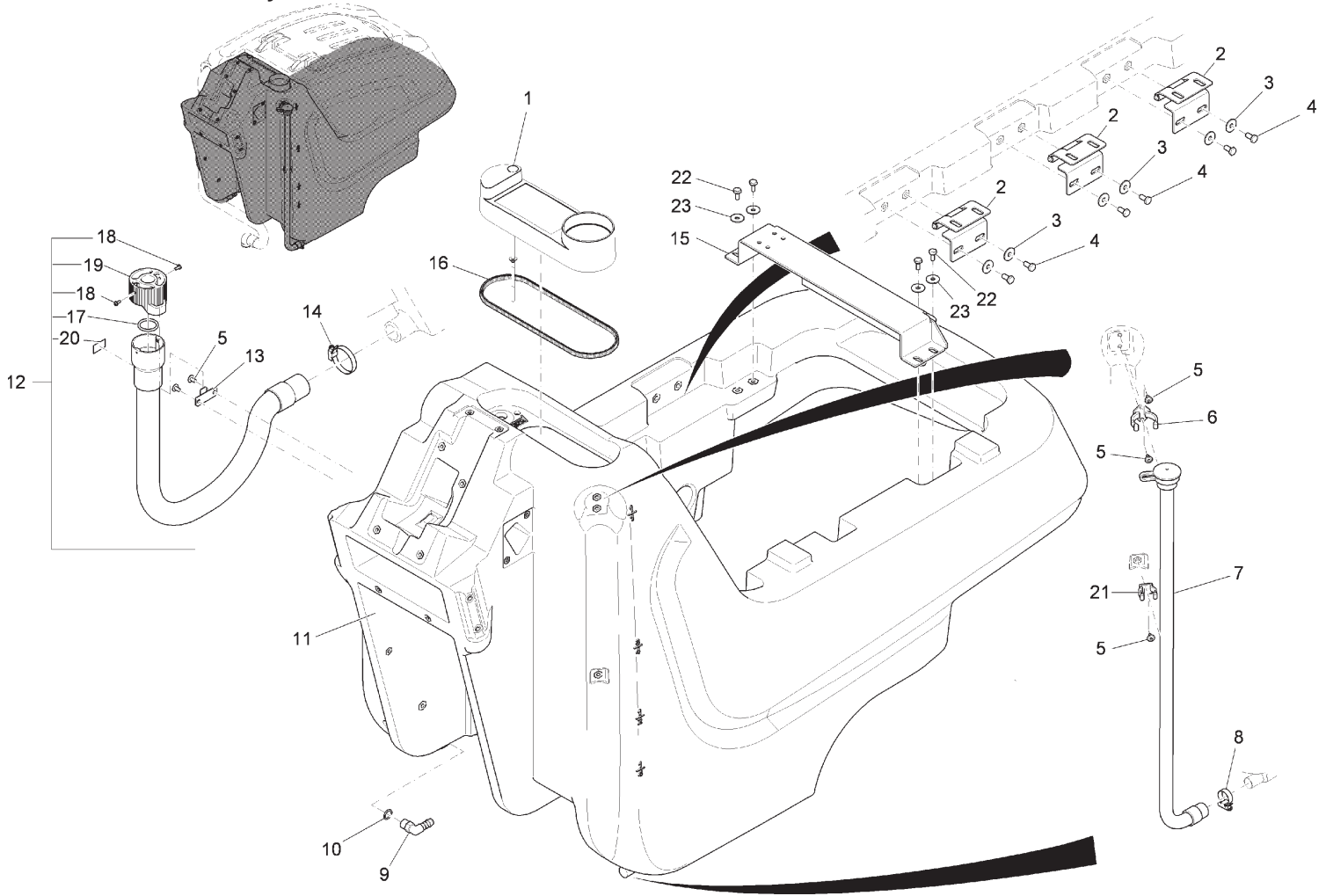
Battery Tray Assembly



Bill of Material - 97099956

| Item | Spare part number | Mat. No. | Qty. | Description |
|------|-------------------|----------|------|--------------|
| 1 | 01170760 | 90535360 | 1 | Sheet metal |
| 2 | 03008190 | 96117171 | 1 | Battery tray |

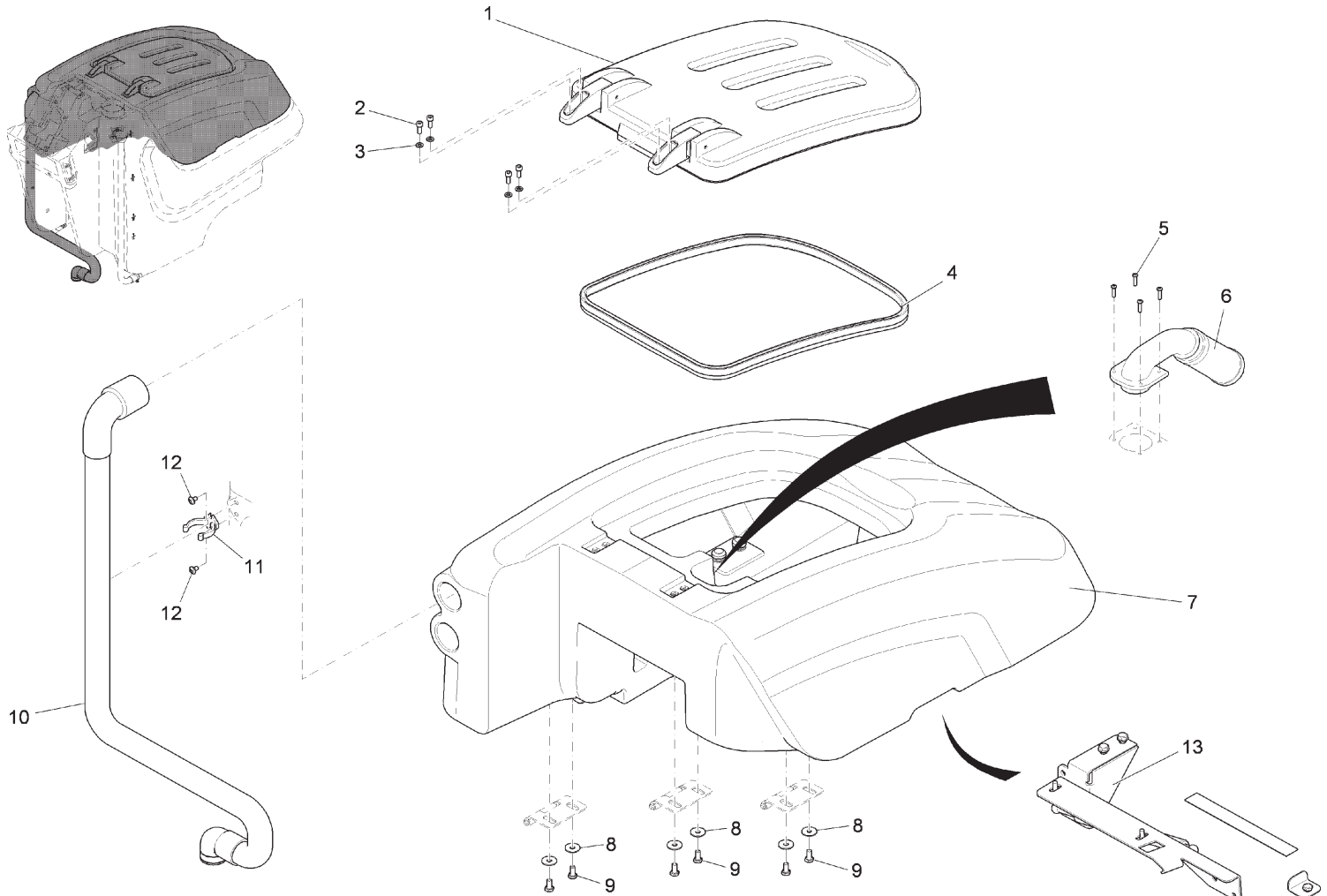
Solution Tank Assembly



Bill of Material - 97102628-1

| Item | Spare part number | Mat. No. | Qty. | Description |
|------|-------------------|----------|-------|----------------------|
| 1 | 01078100 | 96114061 | 1 | Fresh water cap |
| 2 | 01078110 | 90496910 | 3 | Hinge |
| 3 | 00047990 | 12515086 | 6 | Disk wheel |
| 4 | 01071740 | 11039609 | 6 | Hex.bolt |
| 5 | 01072520 | 11177179 | 5 | Lens flange screw |
| 6 | 01078120 | 90503251 | 1 | Hose support |
| 7 | 01170530 | 96110622 | 1 | Hose |
| 8 | 01161690 | 17533290 | 1 | Clamp |
| 9 | 00020020 | 90174970 | 1 | Angle socket |
| 10 | 00057720 | 15286149 | 1 | O-ring oil resistant |
| 11 | XXXXXXXX | 96116355 | 1 | Solution tank |
| 12 | 01077960 | 97090096 | 1 | Foul water hose |
| 13 | 01077860 | 90517574 | 1 | Hook |
| 14 | 00751160 | 17533043 | 1 | Hose clamp |
| 15 | XXXXXXXX | 96118930 | 1 | Traverse |
| 16 | 00721090 | 25583022 | 710mm | Edge protection |
| 17 | 01079300 | 15282072 | 1 | O-Ring |
| 18 | 00906100 | 11175395 | 2 | Fillister-head screw |
| 19 | 00906110 | 90304528 | 1 | Cover |
| 20 | 01170060 | 17264888 | 1 | Decal FOUL WATER |
| 21 | XXXXXXXX | 90538570 | 1 | Hose support |
| 22 | 00053080 | 11038197 | 4 | Hexagon screw |
| 23 | 00042900 | 12332029 | 4 | Washer |

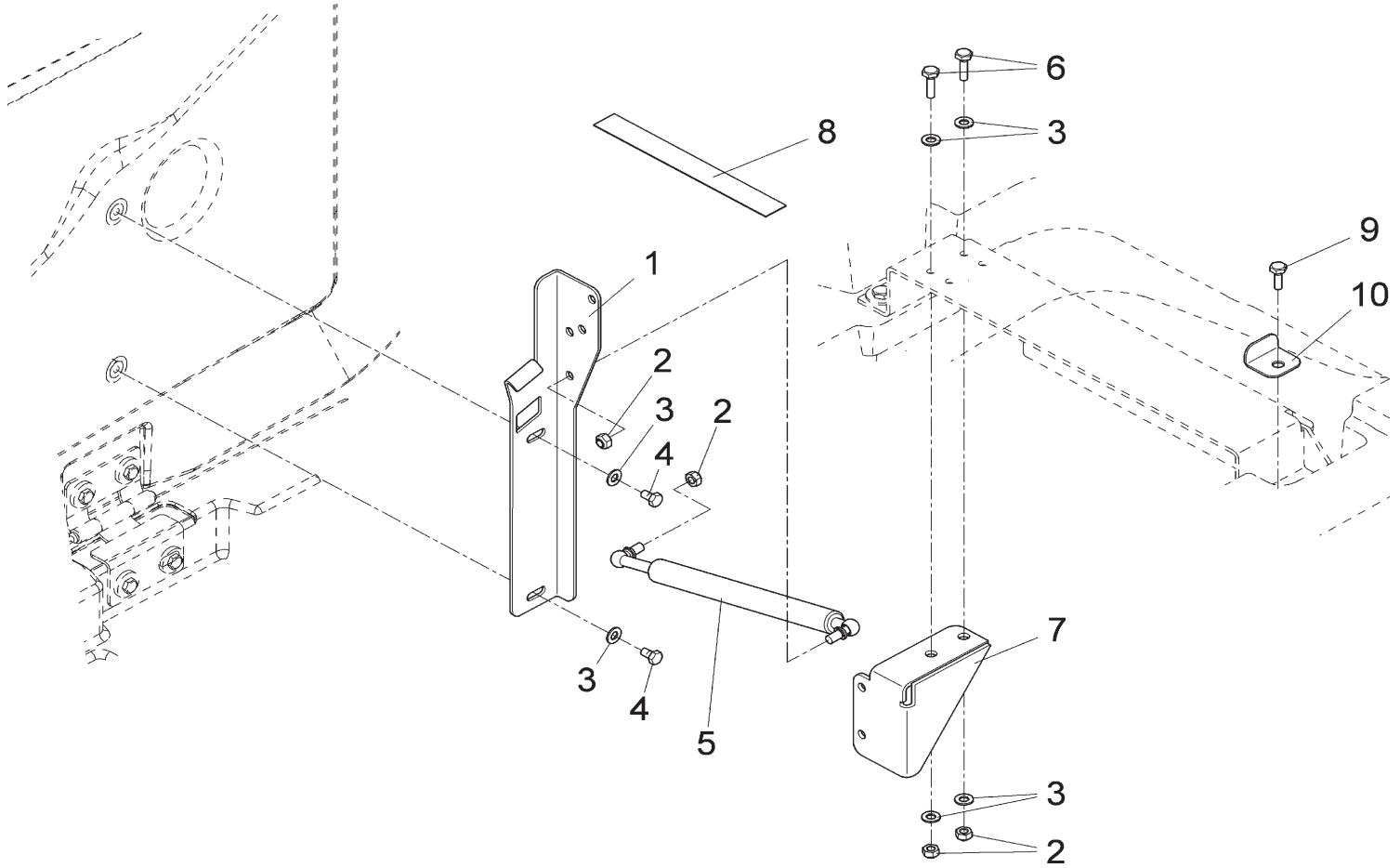
Recovery Tank Assembly



Bill of Material - 97102628-2

| Item | Spare part number | Mat. No. | Qty. | Description | Note |
|------|-------------------|----------|------|---------------------|------------------------|
| 1 | 01077990 | 97092951 | 1 | Cover | |
| 2 | 00136910 | 11126166 | 4 | Cylinder head screw | |
| 3 | 00053730 | 12310033 | 4 | Washer | |
| 4 | 01071770 | 25510512 | 1 | Sealing profile | |
| 5 | 01078160 | 11709151 | 4 | Screw | |
| 6 | 01078250 | 97093843 | 1 | Filter unit | |
| 7 | XXXXXXXX | 96118906 | 1 | Dirt container | |
| 8 | 00047990 | 12515086 | 6 | Disk wheel | |
| 9 | 01071740 | 11039609 | 6 | Hex.bolt | |
| 10 | XXXXXXXX | 96120886 | 1 | Suction hose | |
| 11 | 01078120 | 90503251 | 1 | Hose support | |
| 12 | 01072520 | 11177179 | 2 | Lens flange screw | |
| 13 | 97101653 | | 1 | Lifting device | ITEM HAS SUBASSEMBLIES |

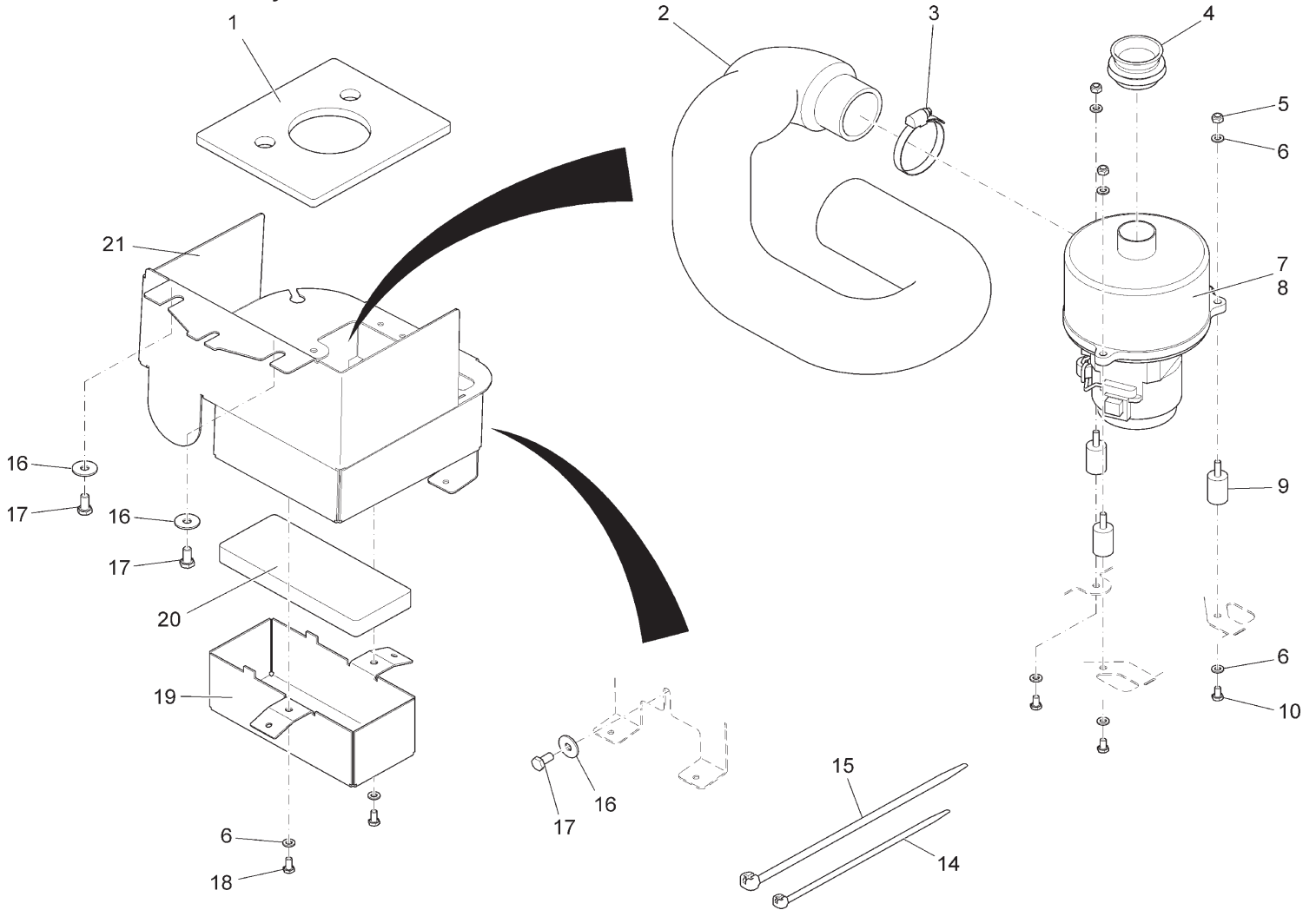
Recovery Tank Assembly
Lifting Device Subassembly



Bill of Material - 97101653

| Item | Spare part number | Mat. No. | Qty. | Description |
|------|-------------------|----------|------|------------------------|
| 1 | XXXXXXXX | 90540667 | 1 | Angle |
| 2 | 00051510 | 12040051 | 4 | Hexagon nut |
| 3 | 00053750 | 12310041 | 6 | Washer |
| 4 | 00053080 | 11038197 | 2 | Hexagon screw |
| 5 | XXXXXXXX | 90541624 | 1 | Gas pressurized spring |
| 6 | 00053100 | 11038247 | 2 | Hexagon screw |
| 7 | XXXXXXXX | 90538612 | 1 | Retainer |
| 8 | 01055740 | 90370792 | 1 | Belt |
| 9 | 00053090 | 11038213 | 1 | Hexagon screw |
| 10 | XXXXXXXX | 90540642 | 1 | Angle |

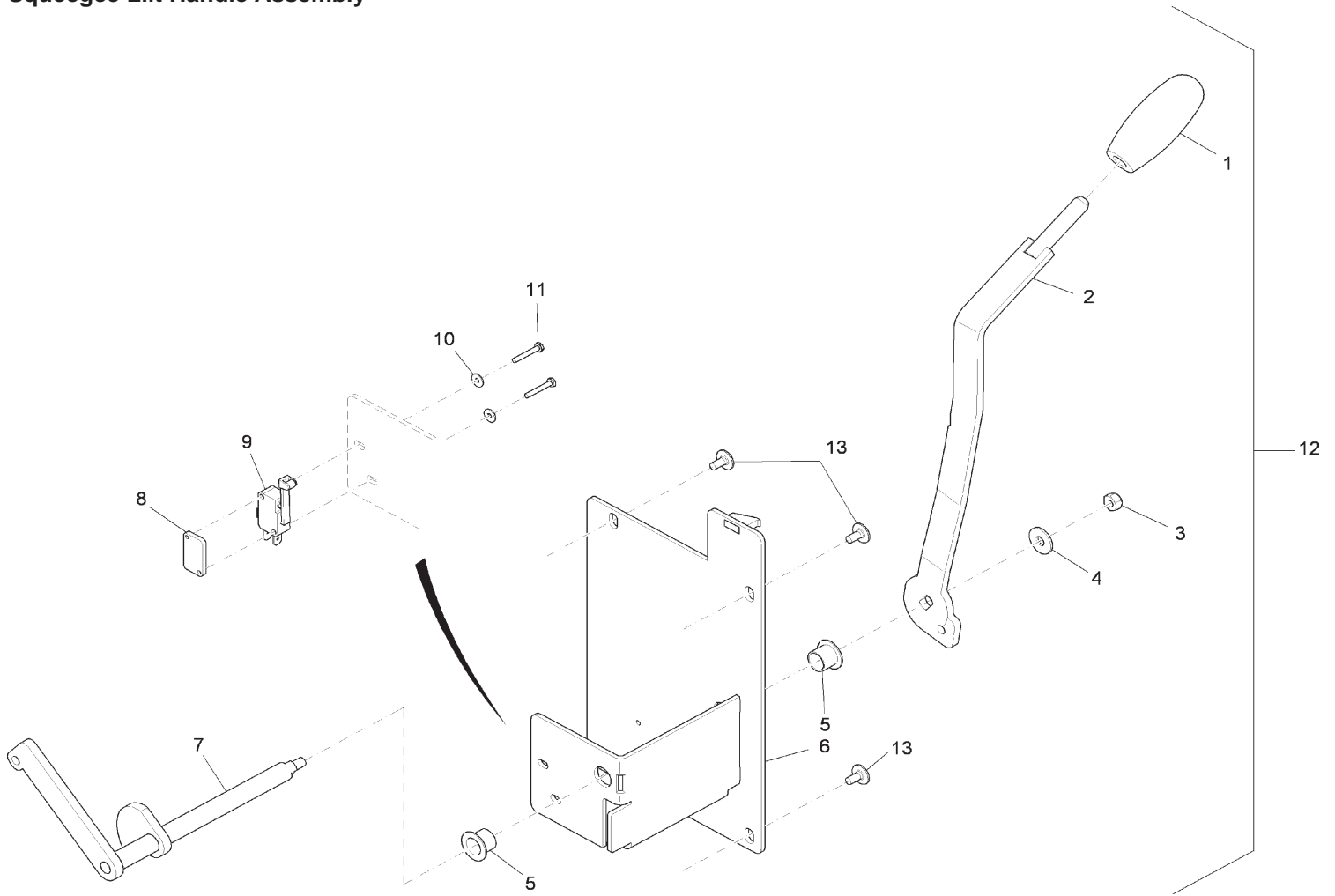
Vacuum Motor Assembly



Bill of Material - 97092811

| Item | Spare part number | Mat. No. | Qty. | Description |
|------|-------------------|----------|------|----------------|
| 1 | 01079740 | 90523945 | 1 | Insulation mat |
| 2 | 01077900 | 90519737 | 1 | Hose |
| 3 | 00732130 | 17533027 | 1 | Hose clamp |
| 4 | 01078180 | 90503657 | 1 | Connection |
| 5 | 00051520 | 12040044 | 3 | Hexagon nut |
| 6 | 00053730 | 12310033 | 8 | Washer |
| 7 | 01079350 | 97096200 | 1 | Suction motor |
| 8 | 01074610 | 01074610 | 4 | Carbon brush |
| 9 | 01078190 | 90518457 | 3 | Buffer |
| 10 | 00025260 | 11038056 | 3 | Hexagon screw |
| 14 | 00121150 | 90114810 | 1 | Cable tie |
| 15 | 00967760 | 90156688 | 4 | Cable tie |
| 16 | 00042900 | 12332029 | 3 | Washer |
| 17 | 00053080 | 11038197 | 3 | Hexagon screw |
| 18 | 00104500 | 11038064 | 2 | Hexagon screw |
| 19 | 01079750 | 90519653 | 1 | Cover |
| 20 | 01079730 | 90519745 | 1 | Insulation mat |
| 21 | 03007810 | 96114301 | 1 | Sheet metal |

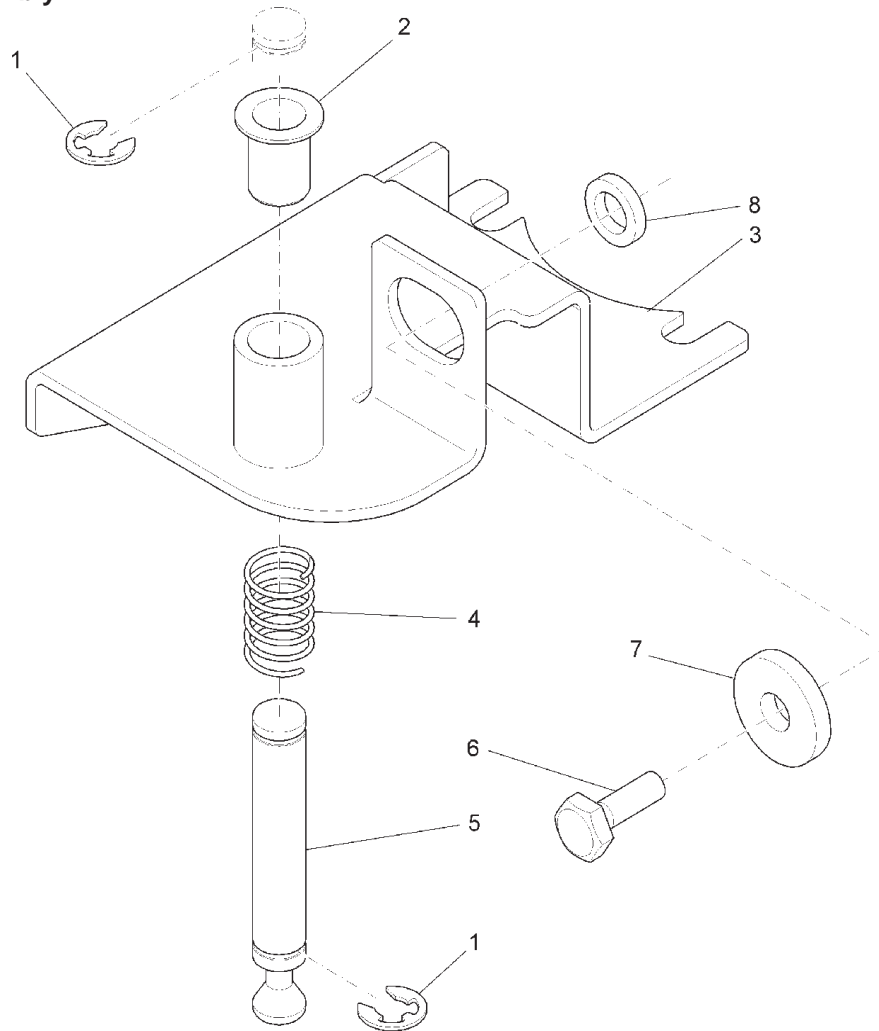
Squeegee Lift Handle Assembly



Bill of Material - 97102479

| Item | Spare part number | Mat. No. | Qty. | Description |
|------|-------------------|----------|------|----------------------|
| 1 | 00705560 | 17143025 | 1 | Handle |
| 2 | 01079160 | 96117825 | 1 | Lever |
| 3 | 00051520 | 12040044 | 1 | Hexagon nut |
| 4 | 00135120 | 12332011 | 1 | Washer |
| 5 | 01071440 | 14895288 | 2 | Plain bearing bush |
| 6 | 01079710 | 96110804 | 1 | Support plate |
| 7 | 01079720 | 96110705 | 1 | Shaft with cam |
| 8 | 01074840 | 90471483 | 1 | Thread base plate |
| 9 | 00975510 | 90306002 | 1 | Micro switch |
| 10 | 00747400 | 12332110 | 2 | Washer |
| 11 | 00022180 | 11039088 | 2 | Hex.bolt |
| 12 | 00009000 | 97092340 | 1 | Lifting suction unit |
| 13 | 01072520 | 11177179 | 4 | Lens flange screw |

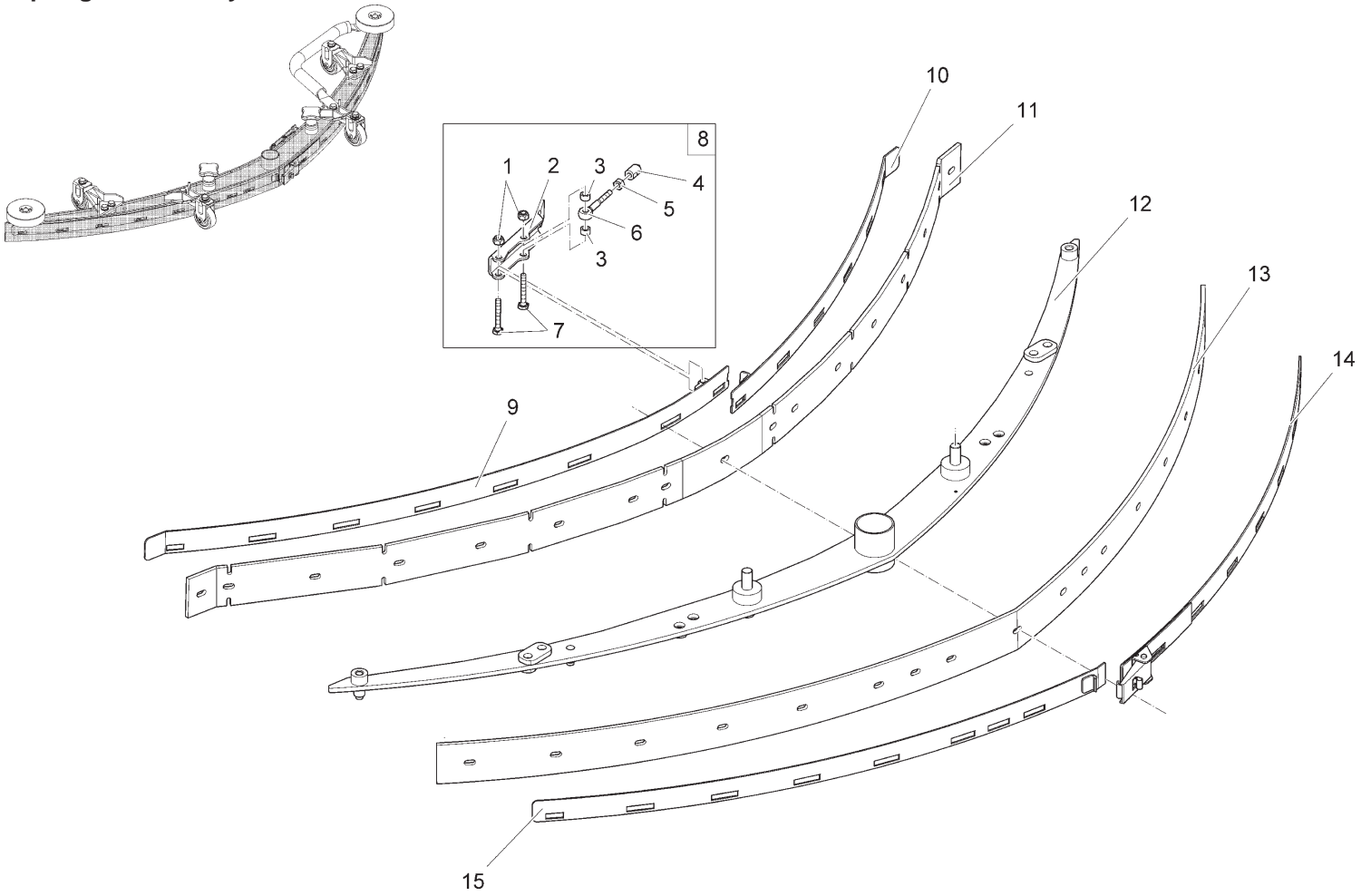
Squeegee Lock Assembly



Bill of Material - 9709931

| Item | Spare part number | Mat. No. | Qty. | Description |
|------|-------------------|----------|------|------------------------|
| 1 | 00046280 | 12640033 | 2 | Thrust washer |
| 2 | 00041400 | 14895122 | 1 | Plain bearing bush |
| 3 | 01170730 | 96115076 | 1 | Folding plate |
| 4 | 01170280 | 90523325 | 1 | Cyl.compression spring |
| 5 | 01170270 | 90523036 | 1 | Pin |
| 6 | 00053090 | 11038213 | 1 | Hexagon screw |
| 7 | 00047990 | 12515086 | 1 | Disk wheel |
| 8 | 01079670 | 90525692 | 1 | Spacer sleeve |

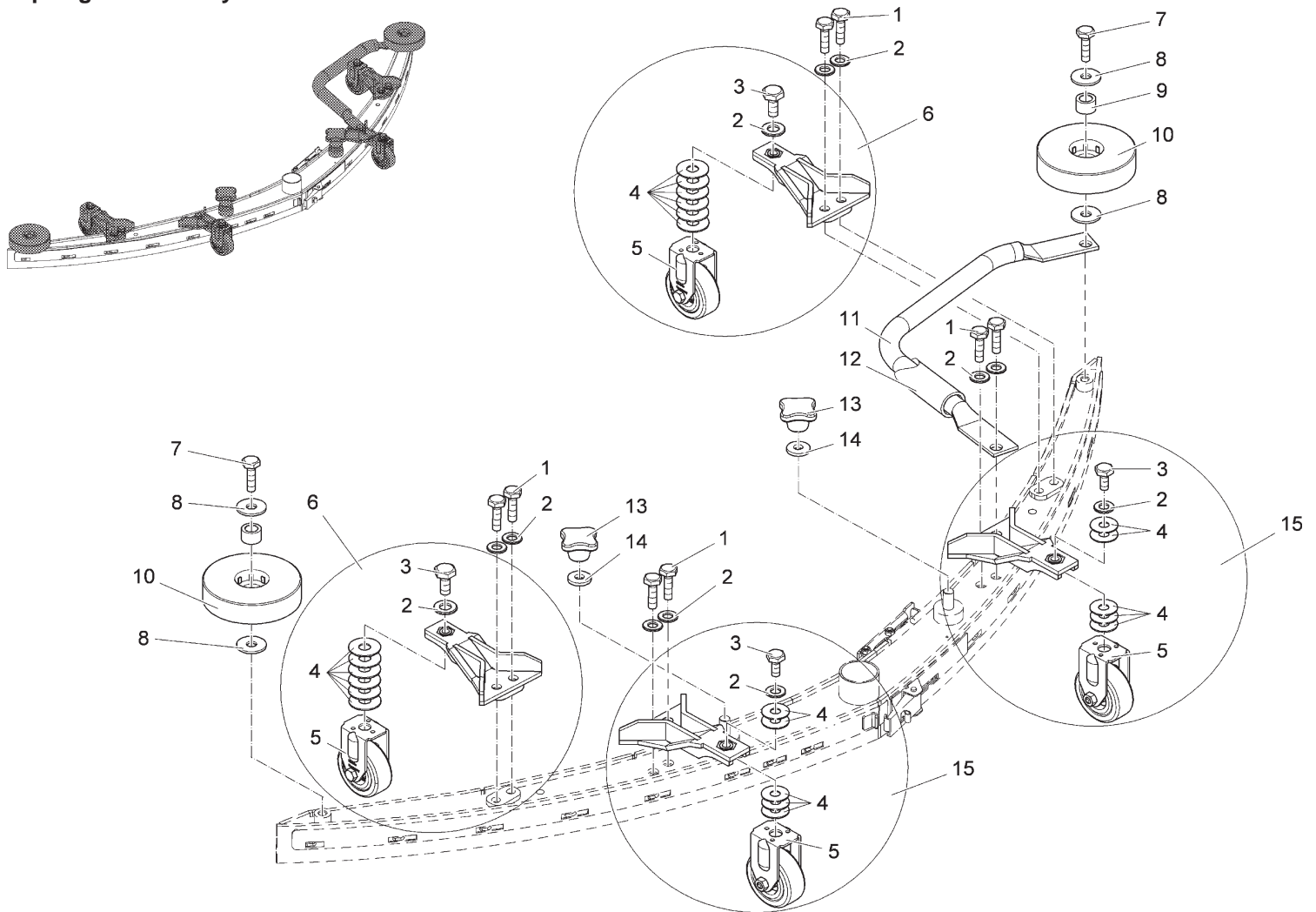
Squeegee Assembly I



Bill of Material - 97096234-1

| Item | Spare part number | Mat. No. | Qty. | Description |
|------|-------------------|----------|------|---------------------|
| 1 | 01017660 | 12040283 | 2 | Hex. Nut |
| 2 | 01077580 | 90535758 | 1 | Lever |
| 3 | 01077590 | 90514506 | 2 | Bushing |
| 4 | 01078090 | 90513631 | 1 | Pressure piece |
| 5 | 00902250 | 12022430 | 1 | Hex. Nut |
| 6 | 01077500 | 11518313 | 1 | Eye bolt |
| 7 | 01079890 | 11039765 | 2 | Hexagon screw |
| 8 | 00009010 | 97057459 | 1 | Lock suction unit |
| 9 | 01079880 | 96114830 | 1 | Front tension band |
| 10 | 01079870 | 96114822 | 1 | Front tension band |
| 11 | 01079790 | 90522251 | 1 | Slot strip |
| 12 | 01079900 | 96114814 | 1 | Suction unit 1110mm |
| 13 | 01079780 | 90522269 | 1 | Sealing strip |
| 14 | 01079910 | 96114855 | 1 | Rear tension band |
| 15 | 01079920 | 96114848 | 1 | Rear tension band |

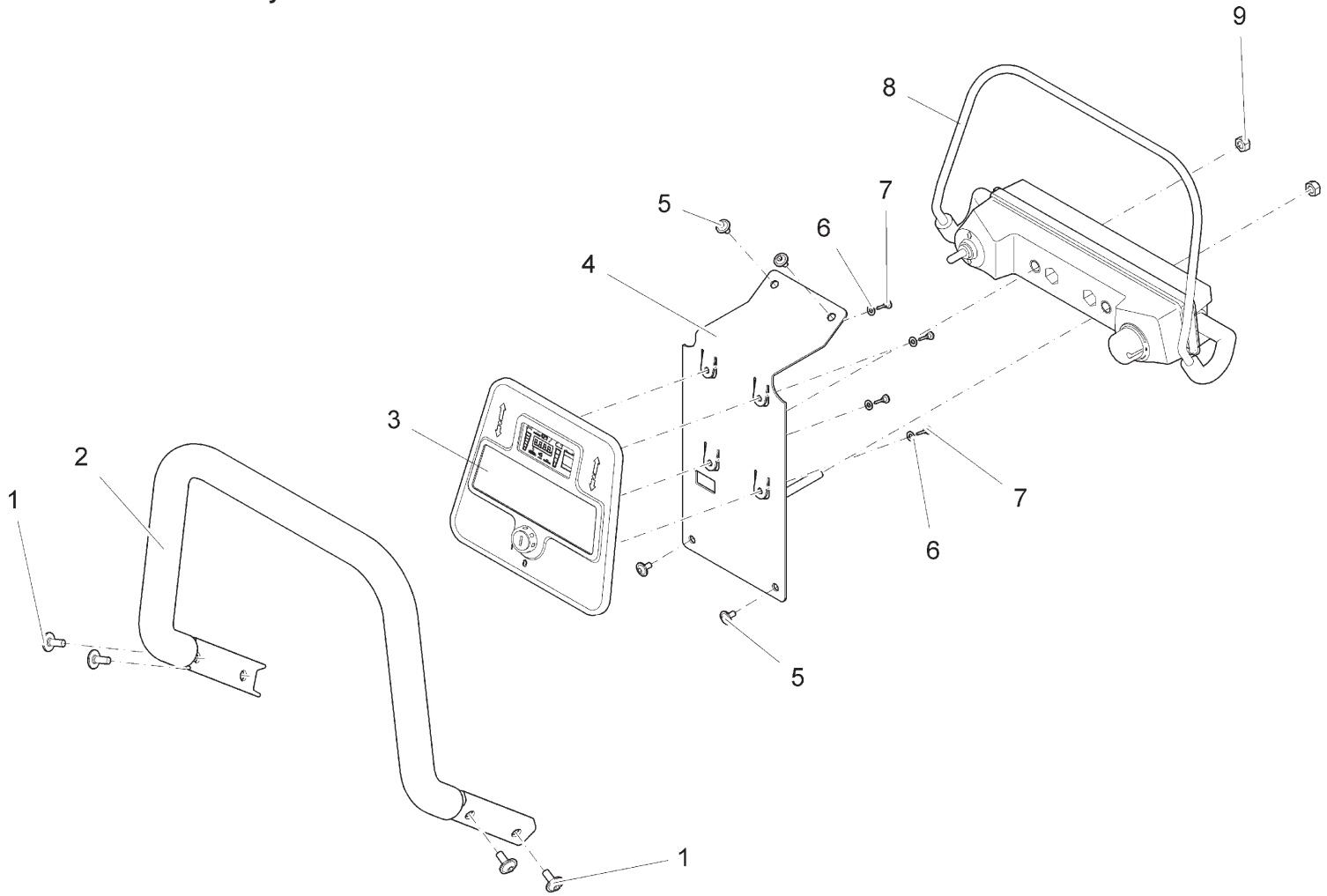
Squeegee Assembly II



Bill of Material - 97096234-2

| Item | Spare part number | Mat. No. | Qty. | Description |
|------|-------------------|----------|--------|------------------|
| 1 | 01078690 | 11038924 | 4 | Hexagon screw |
| 2 | 00101550 | 12310264 | 12 | Washer |
| 3 | 01071740 | 11039609 | 4 | Hex.bolt |
| 4 | 01079080 | 90531112 | 22 | Spacer |
| 5 | 01077810 | 90513094 | 4 | Fixed castor |
| 6 | XXXXXXXX | 97099121 | 2 | Fixed castor |
| 7 | 01059530 | 11039567 | 2 | Hexagon screw |
| 8 | 00902280 | 12332136 | 4 | Washer |
| 9 | 00879030 | 90199019 | 2 | Pipe |
| 10 | 00924810 | 90336637 | 2 | Deflector roller |
| 11 | 01079930 | 90522566 | 1 | Bracket |
| 12 | 00911270 | 25842105 | 305 mm | Hose |
| 13 | 00866720 | 17133026 | 2 | Star handle |
| 14 | 00972060 | 12515094 | 2 | Disk wheel |
| 15 | 01079070 | 97098842 | 2 | Fixed castor |

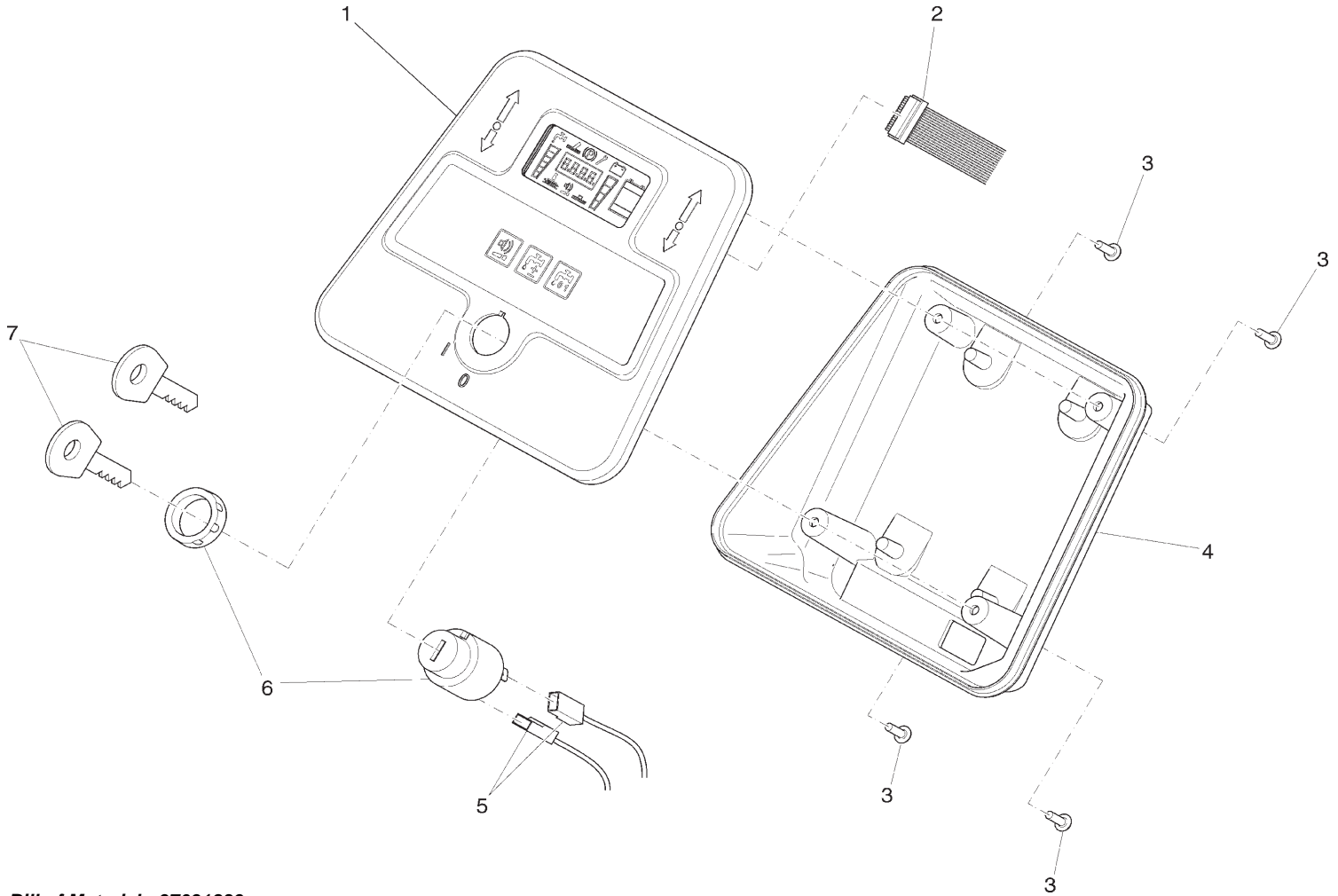
Control Panel Assembly



Bill of Material - 97096523

| Item | Spare part number | Mat. No. | Qty. | Description | Note |
|------|-------------------|----------|------|--------------------|------------------------|
| 1 | 01171380 | 11177253 | 4 | Lens flange screw | |
| 2 | 01079760 | 90494501 | 1 | Handle bar | |
| 3 | 97091839 | | 1 | Console cpl. | ITEM HAS SUBASSEMBLIES |
| 4 | 01079770 | 96117585 | 1 | Sheet metal | |
| 5 | 01072520 | 11177179 | 4 | Lens flange screw | |
| 6 | 00874720 | 12310272 | 4 | Washer | |
| 7 | 00961490 | 11709011 | 4 | Self tapping screw | |
| 8 | 01079950 | 97096069 | 1 | Bail system | |
| 9 | 00051510 | 12040051 | 2 | Hexagon nut | |

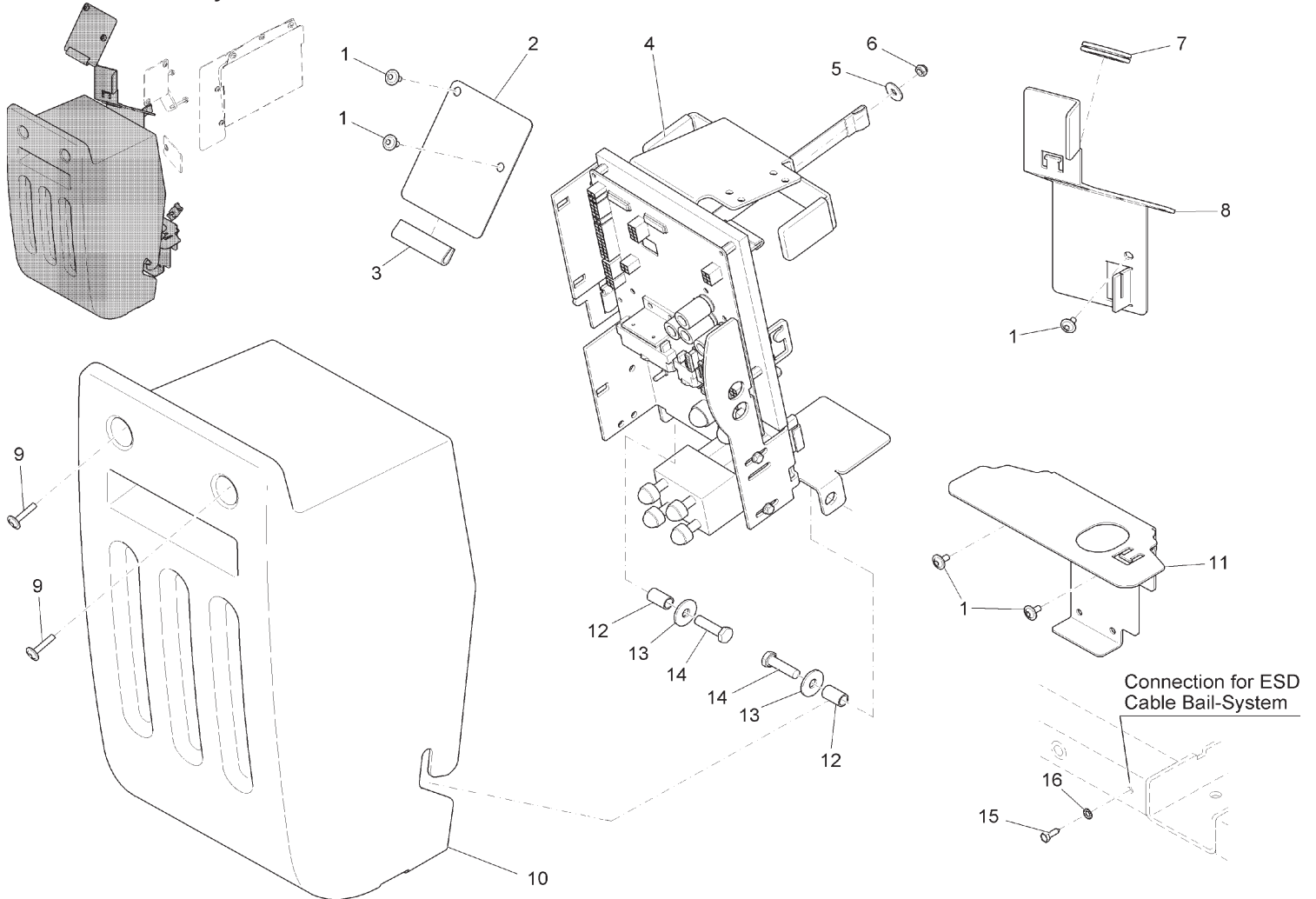
Control Panel Assembly
Console Subassembly



Bill of Material - 97091839

| Item | Spare part number | Mat. No. | Qty. | Description |
|------|-------------------|----------|------|------------------|
| 1 | 01079090 | 97057160 | 1 | Console B70/B90 |
| 2 | 01078930 | 90511130 | 1 | Ribbon cable |
| 3 | 01078860 | 11702123 | 4 | Screw |
| 4 | 01078940 | 90499492 | 1 | Console |
| 5 | 01078950 | 90518150 | 1 | Cable key switch |
| 6 | 00021710 | 90323437 | 1 | Key switch |
| 7 | 00745890 | 00745890 | 1 | Set (2pc.) key |

Electrical Assembly I

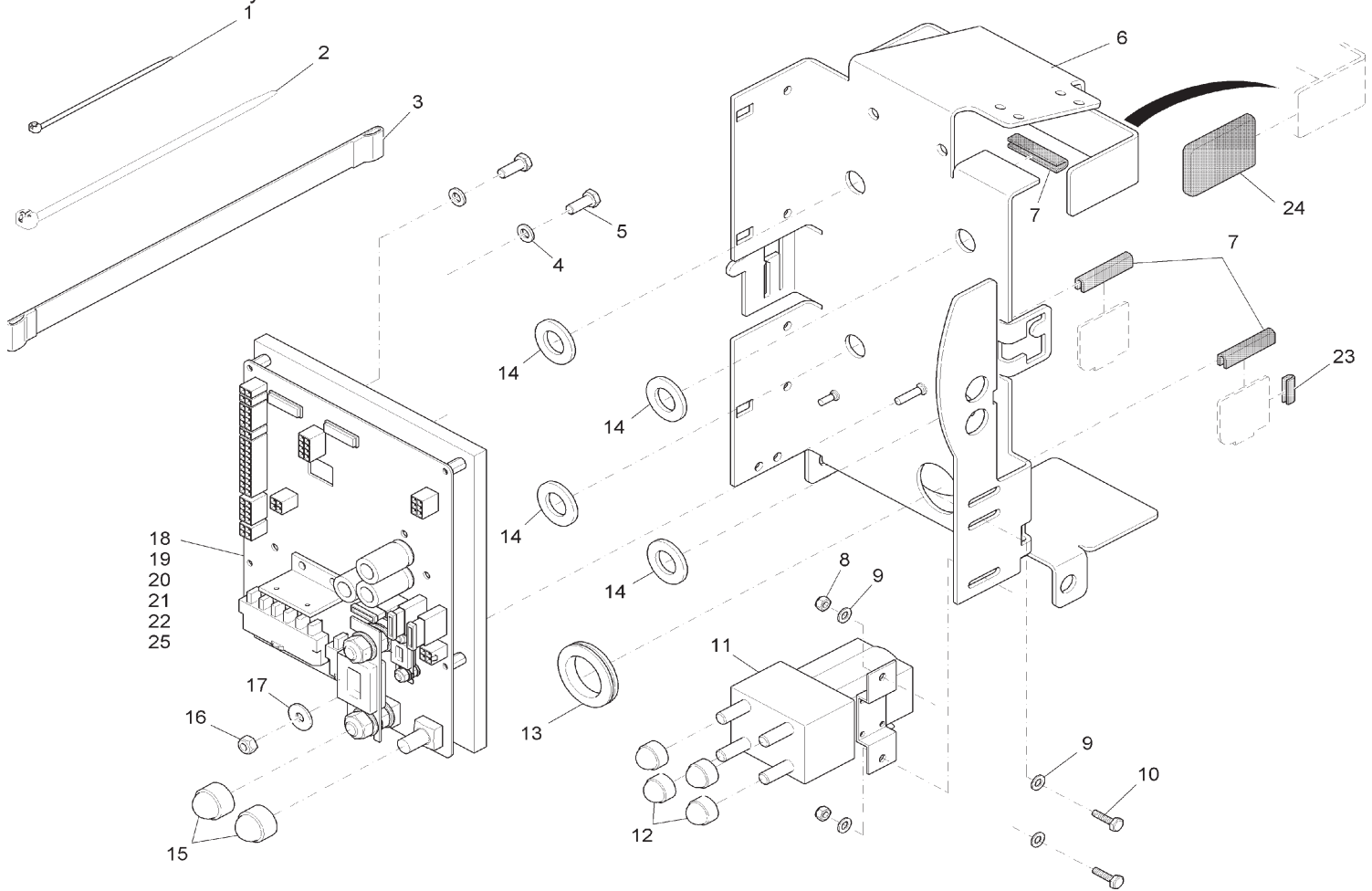


Bill of Material - 97101968-1

| Item | Spare part number | Mat. No. | Qty. | Description | Note |
|------|-------------------|----------|------|-------------------|------------------------|
| 1 | 01072520 | 11177179 | 5 | Lens flange screw | |
| 2 | 01078570 | 90509803 | 1 | Sheet metal | |
| 3 | 00161240 | 25582024 | 60mm | Edge protection | |
| 4 | 97102503 | | 1 | Retainer cpl. | ITEM HAS SUBASSEMBLIES |
| 5 | 00153200 | 12347027 | 1 | Washer | |
| 6 | 00051520 | 12040044 | 1 | Hexagon nut | |
| 7 | 01079690 | 15595259 | 1 | Bushing | |
| 8 | 01078580 | 90511338 | 1 | Sheet metal | |
| 9 | 01082530 | 11177161 | 2 | Lens flange screw | |
| 10 | 01078270 | 96114996 | 1 | Covering | |
| 11 | 01078590 | 90513912 | 1 | Clamping plate | |
| 12 | 01078260 | 90499377 | 2 | Bushing | |
| 13 | 00042900 | 12332029 | 2 | Washer | |
| 14 | 00053110 | 11038254 | 2 | Hexagon screw | |
| 15 | 01073850 | 11412046 | 1 | Tapping screw | |
| 16 | 00857150 | 12518080 | 1 | Lock | |

Electrical Assembly I

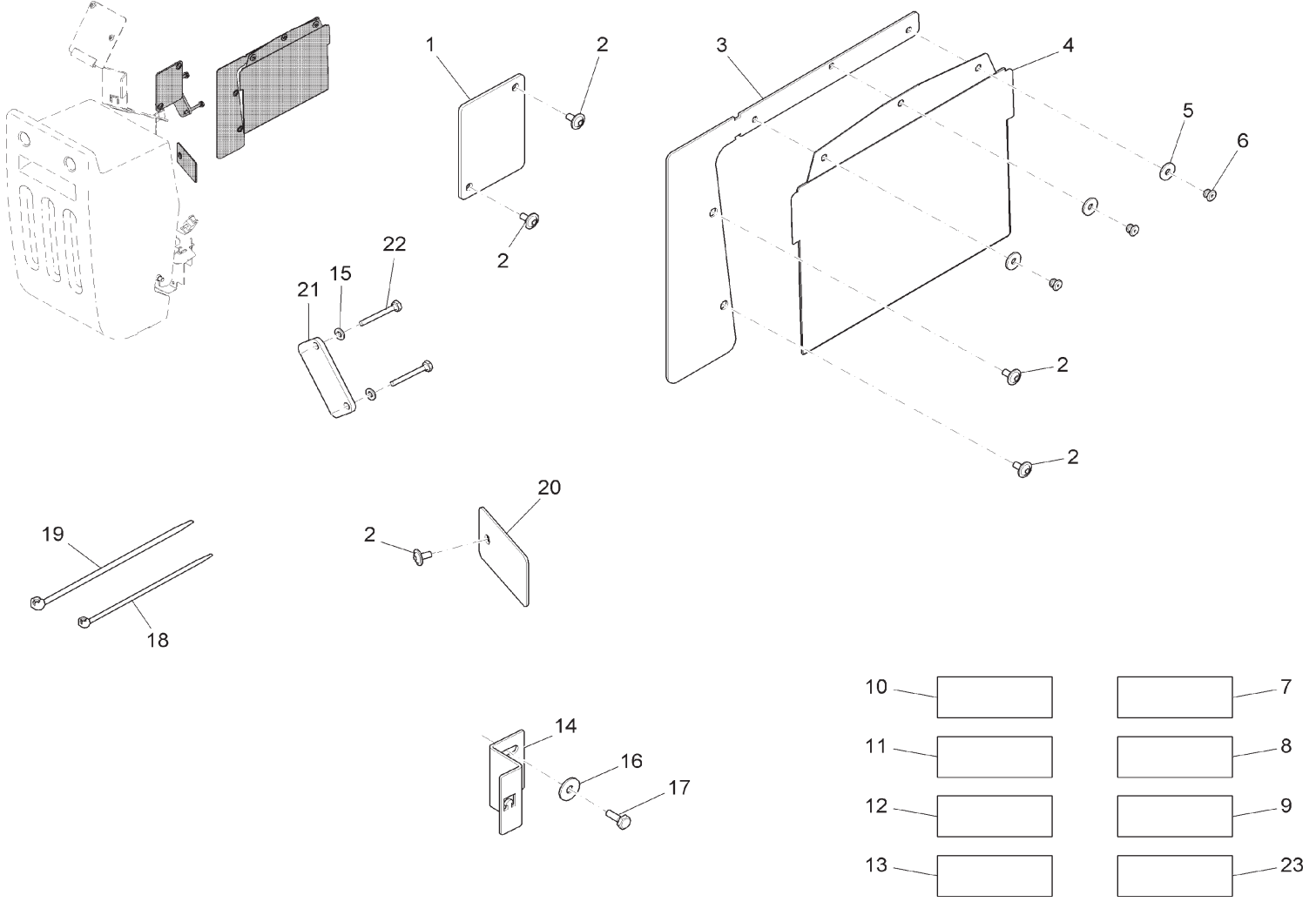
Retainer Subassembly



Bill of Material - 97102503

| Item | Spare part number | Mat. No. | Qty. | Description |
|------|-------------------|----------|-------|-----------------|
| 1 | 00967760 | 90156688 | 4 | Cable tie |
| 2 | 00121150 | 90114810 | 8 | Cable tie |
| 3 | 01077880 | 90517699 | 1 | Webbing |
| 4 | 00053730 | 12310033 | 2 | Washer |
| 5 | 00053010 | 11038072 | 2 | Hex.bolt |
| 6 | 01078640 | 96117668 | 1 | Retainer |
| 7 | 00721090 | 25583022 | 120mm | Edge protection |
| 8 | 00051340 | 12040036 | 2 | Hexagon nut |
| 9 | 00053720 | 12310025 | 4 | Washer |
| 10 | 00054410 | 11038049 | 2 | Hex.bolt |
| 11 | 01170460 | 90529942 | 1 | Contactor |
| 12 | 00131610 | 15592033 | 4 | Lens cap |
| 13 | 01079690 | 15595259 | 1 | Bushing |
| 14 | 01078240 | 90510017 | 4 | Washer |
| 15 | 00747210 | 15592041 | 2 | Lens cap |
| 16 | 00051520 | 12040044 | 1 | Hexagon nut |
| 17 | 00135120 | 12332011 | 1 | Washer |
| 18 | 01171100-3330 | XXXXXX | 1 | Controller |
| 19 | 00059580 | 19731140 | 1 | Fuse |
| 20 | 00902440 | 00902440 | 1 | Strip fuse |
| 21 | 00733630 | 19731082 | 1 | Fuse |
| 22 | 00972430 | 00972430 | 1 | Fuse |
| 23 | 00721090 | 25583022 | 30mm | Edge protection |
| 24 | 01074240 | 90463746 | 2 | Cap |
| 25 | 00906120 | 19731181 | 1 | Fuse |

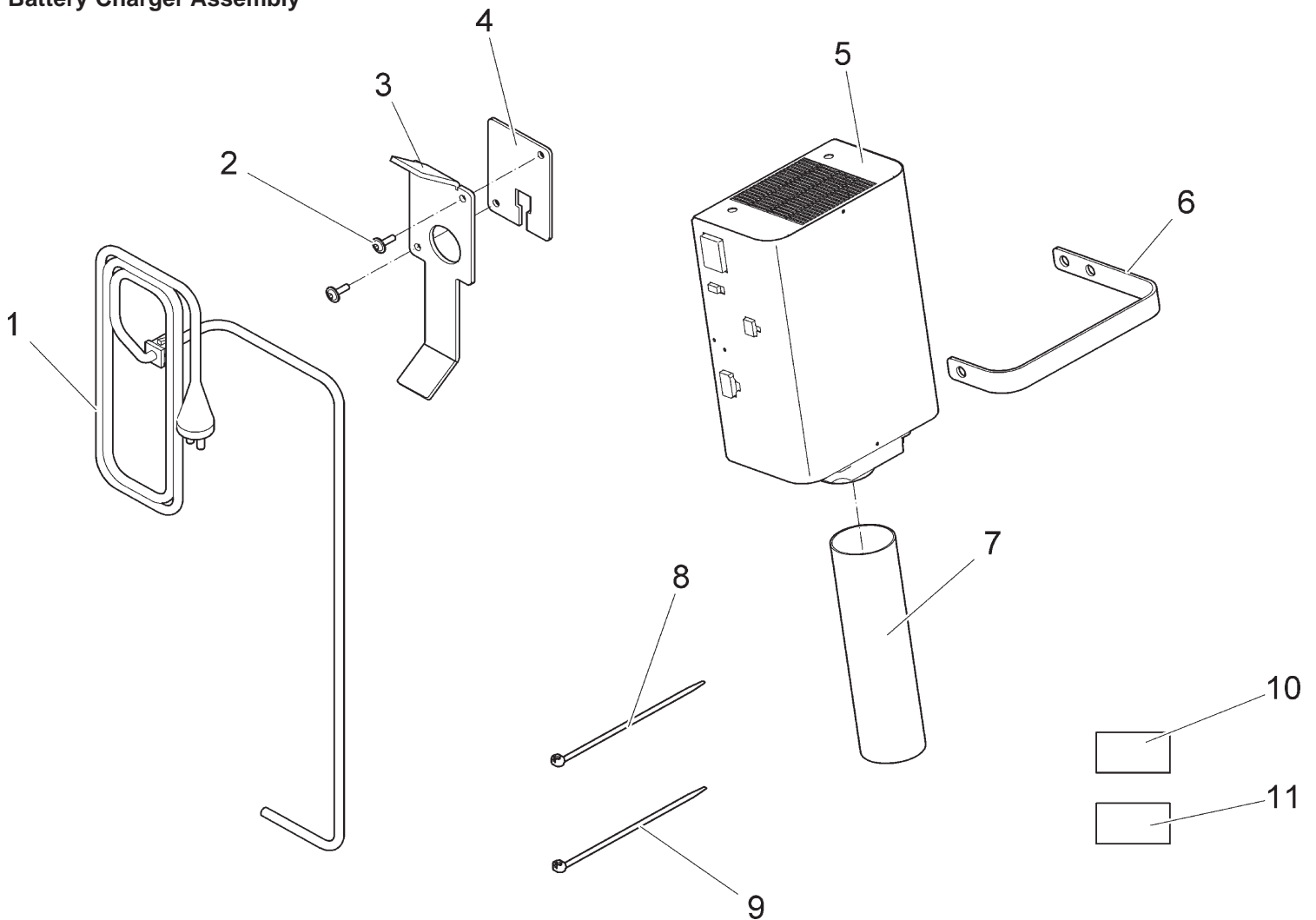
Electrical Assembly II



Bill of Material - 97101968-2

| Item | Spare part number | Mat. No. | Qty. | Description |
|------|-------------------|----------|------|--------------------|
| 1 | 01078600 | 90518119 | 1 | Covering |
| 2 | 01072520 | 11177179 | 7 | Lens flange screw |
| 3 | 01078610 | 90511346 | 1 | Sheet metal |
| 4 | 01078280 | 90465774 | 1 | Bag |
| 5 | 00555520 | 12332052 | 3 | Washer |
| 6 | 01078290 | 13165196 | 3 | Blind rivet |
| 7 | 03008120 | 97096986 | 1 | Wiring harness W1 |
| 8 | 03008130 | 97096994 | 1 | Wiring harness W2 |
| 9 | 03008200 | 97101547 | 1 | Wiring harness W3 |
| 10 | 03008590 | 97101869 | 1 | Wiring harness W9 |
| 11 | 03008160 | 97098511 | 1 | Wiring harness W11 |
| 12 | 03008170 | 97095129 | 1 | Cable loom |
| 13 | 03008180 | 97098529 | 1 | Cable loom |
| 14 | 01170450 | 90529876 | 1 | Clamping plate |
| 15 | 00053730 | 12310033 | 2 | Washer |
| 16 | 00042900 | 12332029 | 1 | Washer |
| 17 | 00053090 | 11038213 | 1 | Hexagon screw |
| 18 | 00121150 | 90114810 | 10 | Cable tie |
| 19 | 00967760 | 90156688 | 2 | Cable tie |
| 20 | 01078630 | 90511320 | 1 | Sheet metal |
| 21 | 01170500 | 90538125 | 1 | Distance plate |
| 22 | 00535110 | 11038817 | 2 | Hex.bolt |
| 23 | 03007780 | 97099048 | 1 | Cable loom |

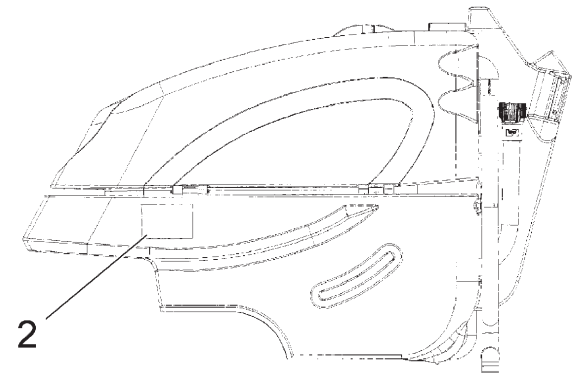
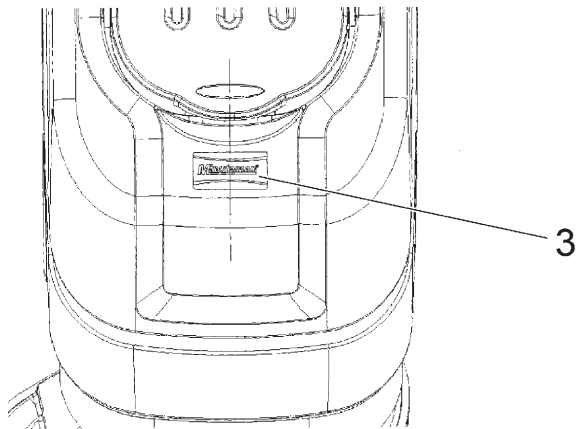
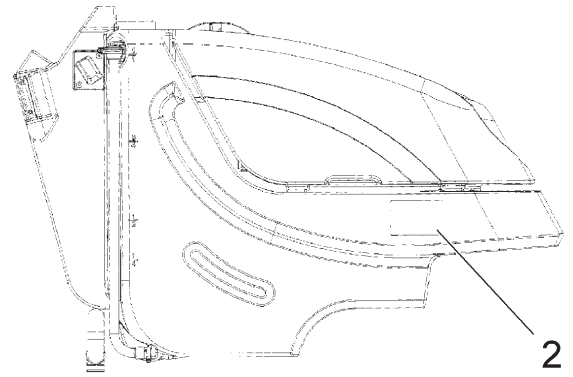
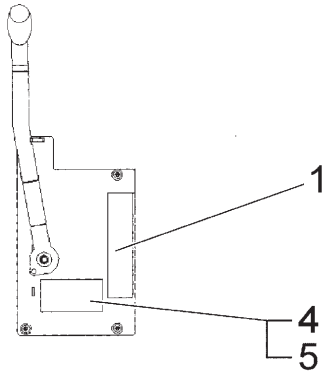
Battery Charger Assembly



Bill of Material - 97099436

| Item | Spare part number | Mat. No. | Qty. | Description | Note |
|------|-------------------|----------|------|-------------------|----------------------------------|
| 1 | 01079380 | 90532987 | 1 | Power cable | |
| 2 | 01017640 | 11177060 | 2 | Lens flange screw | |
| 3 | 01074240 | 90463746 | 2 | Cap | |
| 4 | 01079360 | 90533266 | 1 | Covering | Attaches to item 12 with Loctite |
| 5 | 01079370 | 96117197 | 1 | On-board charger | |
| 6 | 01077870 | 90517665 | 1 | Tension band | |
| 7 | 01078320 | 90512575 | 3 | Hose | |
| 8 | 00121150 | 90114810 | 8 | Cable tie | |
| 9 | 00967760 | 90156688 | 1 | Cable tie | |
| 10 | 03006770 | 97094304 | 1 | Wire harness W6 | |
| 11 | 03006840 | 97094346 | 1 | Wiring harness W8 | |
| 12 | 01079390 | 90533258 | 1 | Cable retainer | |

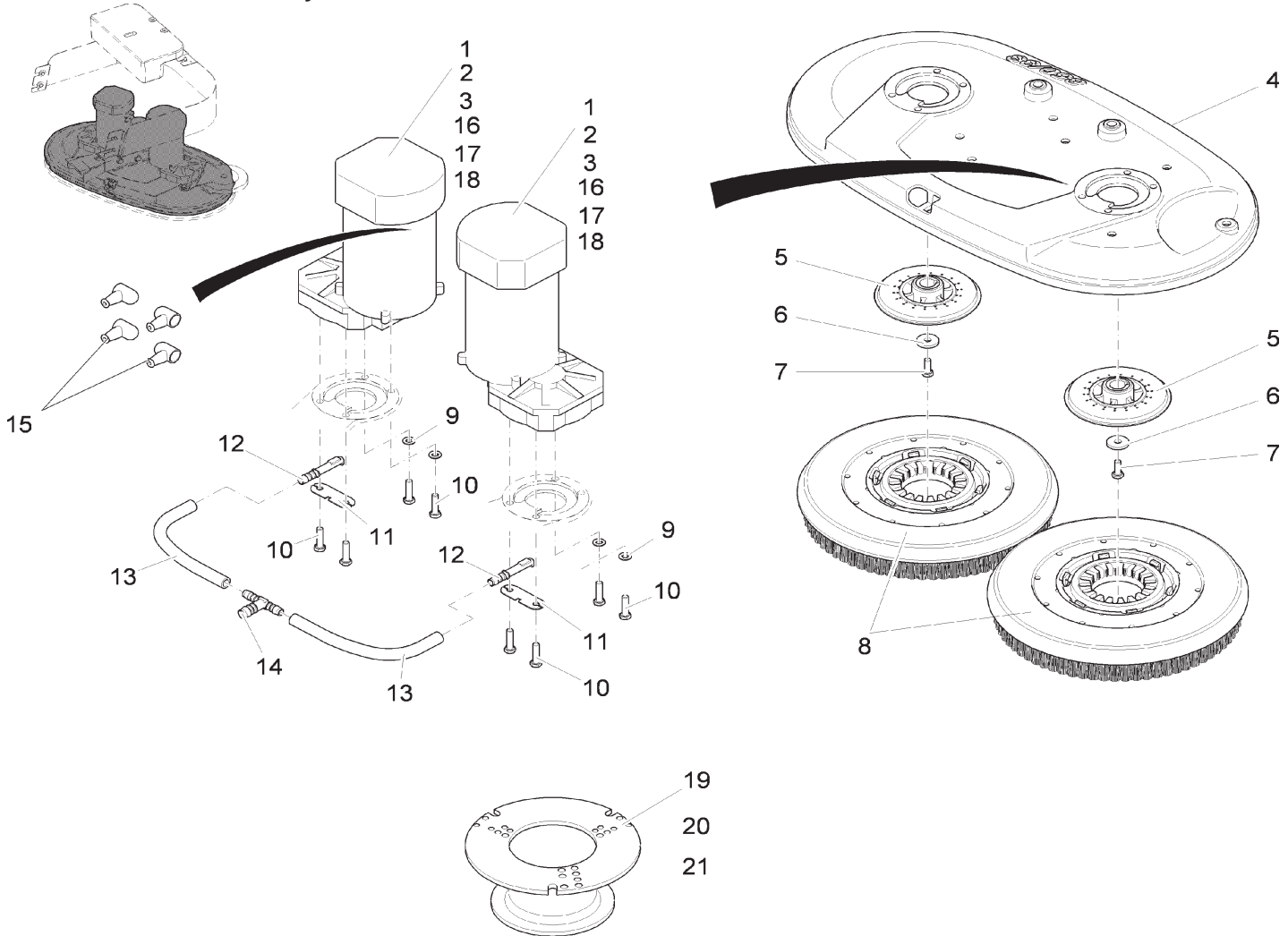
Machine Labels



Bill of Material - 97101695

| Item | Spare part number | Mat. No. | Qty. | Description |
|------|-------------------|----------|------|--------------------------|
| 1 | 01077440 | 17267212 | 1 | Decal DETAILS |
| 2 | 03008570 | 17205261 | 2 | Decal E33 |
| 3 | 03007820 | 17201145 | 1 | Decal MINUTEMAN |
| 4 | XXXXXXXXXX | 17212178 | 1 | Type plate MINUTEMAN USA |
| 5 | 00504370 | 13165014 | 2 | Blind rivet |

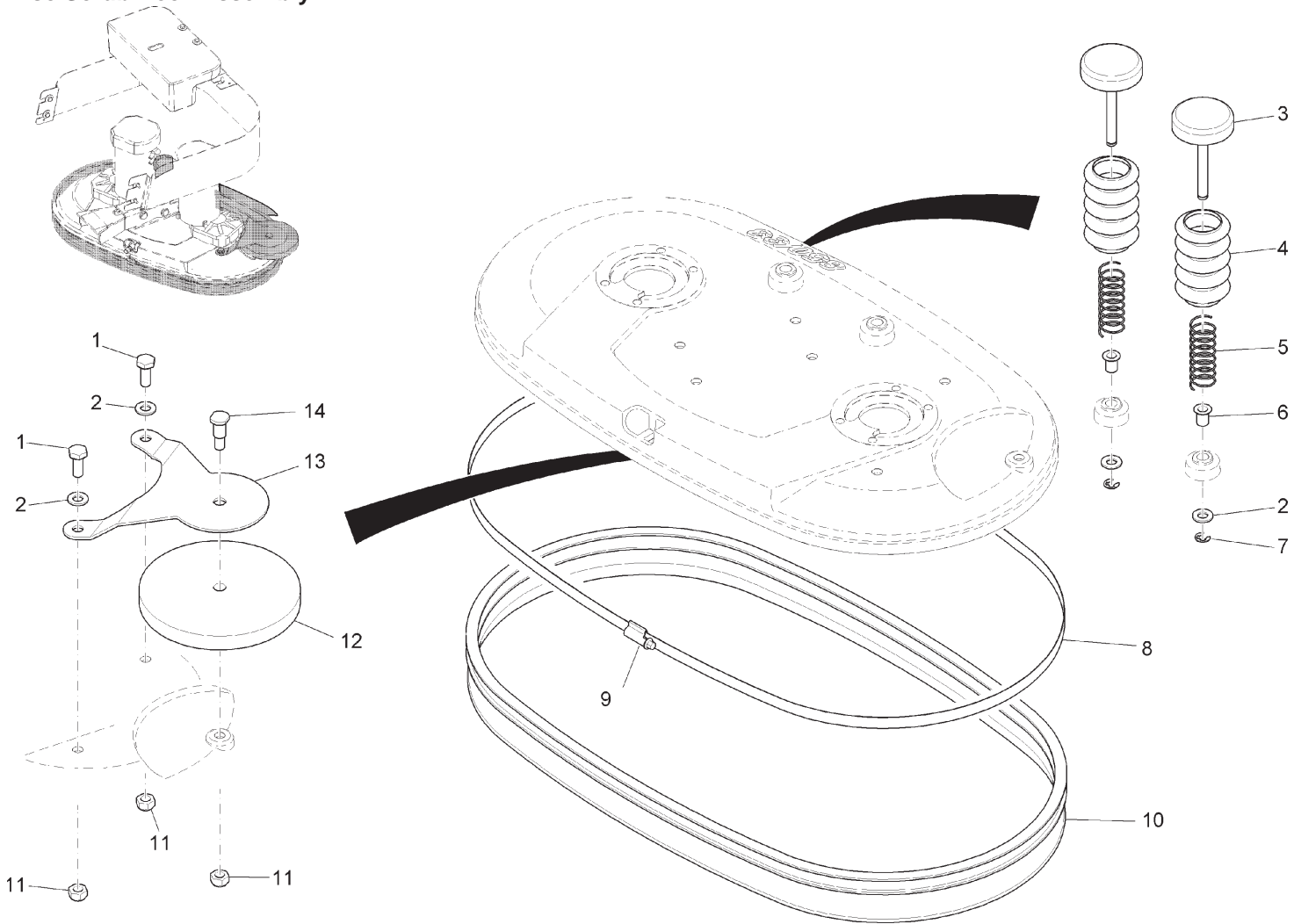
Disc Scrub Deck Assembly I



Bill of Material - 97101562-1

| Item | Spare part number | Mat. No. | Qty. | Description | Note |
|------|-------------------|----------|-------|-------------------------|----------------------|
| 1 | 01170220 | 90507484 | 2 | Motor SCOTT 700W | |
| 2 | 01077230 | 01077230 | 2 | Fitting key | |
| 3 | 01077240 | 01077240 | 1 | Set (4pc.) Carbon brush | |
| 4 | 03008040 | 90501115 | 1 | Housing | |
| 5 | 00512400 | 90324369 | 2 | Carrier | |
| 6 | 00879170 | 90209537 | 2 | Washer | |
| 7 | 00053090 | 11038213 | 2 | Hexagon screw | |
| 8 | 99759900 | 99759900 | 2 | Drive plate USA 430 | Includes items 19-21 |
| 9 | 00101550 | 12310264 | 4 | Washer | |
| 10 | 00053110 | 11038254 | 8 | Hexagon screw | |
| 11 | 01077750 | 90500216 | 2 | Sheet metal | |
| 12 | 01078330 | 90500265 | 2 | Spray tube | |
| 13 | 00180190 | 25842014 | 660mm | Hose | |
| 14 | 00901310 | 90275157 | 1 | T-reducer muff | |
| 15 | 01078070 | 90524174 | 4 | Protection cap | |
| 16 | 01077250 | 01077250 | 1 | Spring | |
| 17 | 01077210 | 01077210 | 1 | Gear | |
| 18 | 01077220 | 01077220 | 1 | Circlip | |
| 19 | 00681500 | 90364365 | 1 | Center-lock, lower part | |
| 20 | 00961490 | 11709011 | 6 | Self tapping screw | |
| 21 | 00681490 | 90364373 | 1 | Center-lock, upper part | |

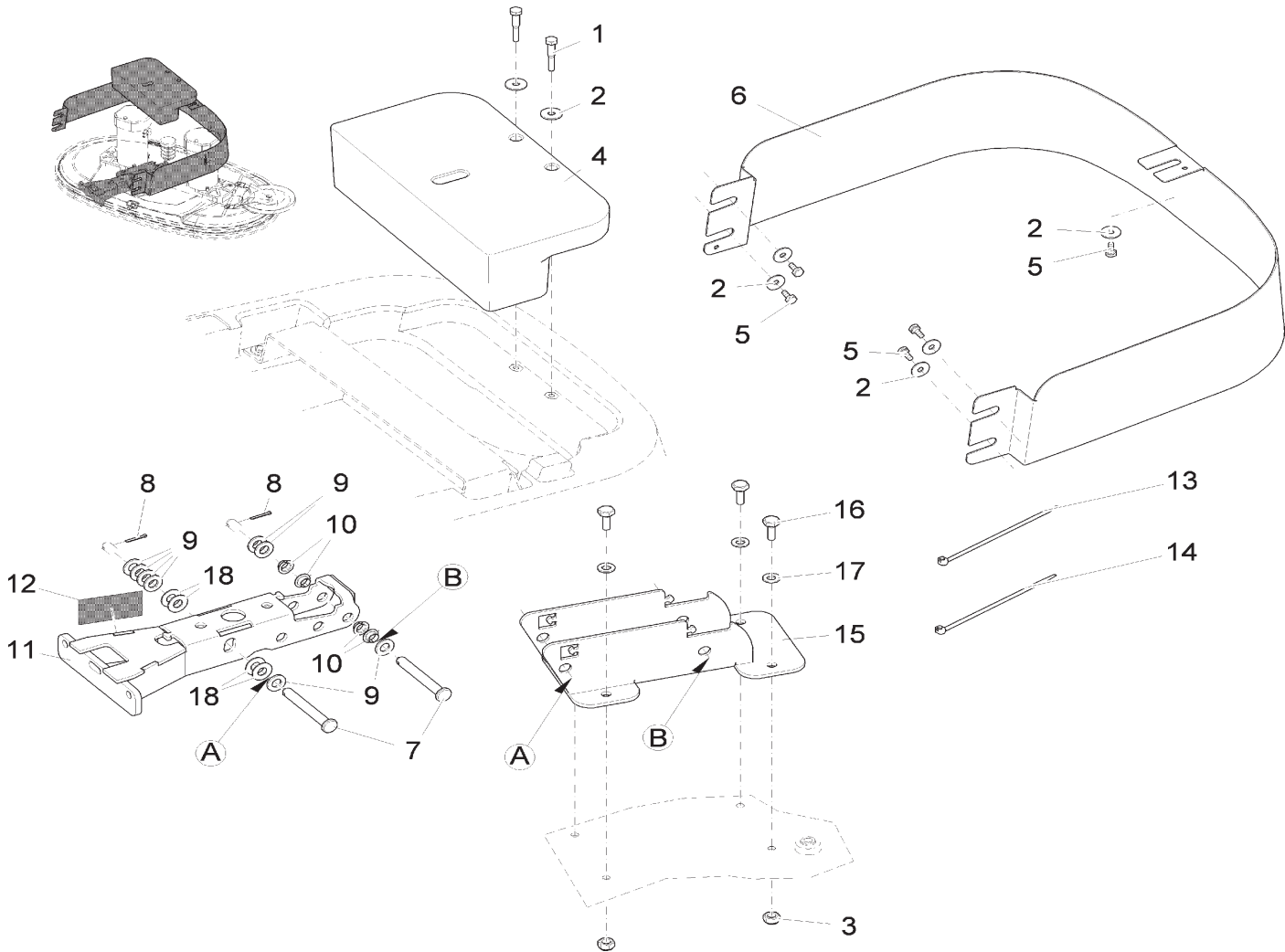
Disc Scrub Deck Assembly II



Bill of Material - 97101562-2

| Item | Spare part number | Mat. No. | Qty. | Description |
|------|-------------------|----------|---------|--------------------|
| 1 | 00053310 | 11038346 | 2 | Hexagon screw |
| 2 | 00053760 | 12310058 | 2 | Washer |
| 3 | 01078000 | 96112388 | 2 | Ejector |
| 4 | 01078350 | 90500232 | 2 | Bellow |
| 5 | 01078340 | 90500208 | 2 | Compression spring |
| 6 | 01078360 | 14895437 | 2 | Slide bearing bush |
| 7 | 00046280 | 12640033 | 2 | Thrust washer |
| 8 | 00712300 | 17528548 | 2440 mm | Tension band |
| 9 | 00901390 | 17528555 | 1 | Tension band lock |
| 10 | 01079970 | 90539800 | 1 | Sealing strip |
| 11 | 00051500 | 12040069 | 3 | Hexagon nut |
| 12 | 01170190 | 90501107 | 1 | Deflector roller |
| 13 | 01170180 | 90500638 | 1 | Retainer |
| 14 | 01077570 | 90507831 | 1 | Screw |

Disc Scrub Deck Assembly III



Bill of Material - 97101562-3

| Item | Spare part number | Mat. No. | Qty. | Description |
|------|-------------------|----------|------|--------------------|
| 1 | 00053120 | 11032208 | 2 | Hexagon screw |
| 2 | 00042900 | 12332029 | 7 | Washer |
| 3 | 00051500 | 12040069 | 2 | Hexagon nut |
| 4 | 03008090 | 96117205 | 1 | Weight |
| 5 | 00053080 | 11038197 | 5 | Hexagon screw |
| 6 | 01171340 | 90536152 | 1 | Covering |
| 7 | 00879650 | 13328414 | 2 | Bolt |
| 8 | 00553580 | 13280136 | 2 | Cotter pin |
| 9 | 00053770 | 12310066 | 8 | Washer |
| 10 | 01171330 | 14895197 | 4 | Slide bearing bush |
| 11 | 01171350 | 96120696 | 1 | Rocker |
| 12 | 01073530 | 17220013 | 1 | Transparency |
| 13 | 00121150 | 90114810 | 3 | Cable tie |
| 14 | 00967760 | 90156688 | 2 | Cable tie |
| 15 | 01170520 | 96110572 | 1 | Retainer |
| 16 | 00053310 | 11038346 | 2 | Hexagon screw |
| 17 | 00053760 | 12310058 | 2 | Washer |
| 18 | 01102770 | 14898019 | 4 | Approach disk |

Minuteman International Made Simple Commercial Limited Warranty

Minuteman International, Inc. warrants to the original purchaser/user that the product is free from defects in workmanship and materials under normal use. Minuteman will, at its option, repair or replace without charge, parts that fail under normal use and service when operated and maintained in accordance with the applicable operation and instruction manuals. All warranty claims must be submitted through and approved by factory authorized repair stations.

This warranty does not apply to normal wear, or to items whose life is dependent on their use and care, such as belts, cords, switches, hoses, rubber parts, electrical motor components or adjustments. Parts not manufactured by Minuteman are covered by and subject to the warranties and/or guarantees of their manufacturers. Please contact Minuteman for procedures in warranty claims against these manufacturers.

Special warning to purchaser -- Use of replacement filters and/or prefilters not manufactured by Minuteman or its designated licensees, will void all warranties expressed or implied. A potential health hazard exists without original equipment replacement.

All warranted items become the sole property of Minuteman or its original manufacturer, whichever the case may be.

Minuteman disclaims any implied warranty, including the warranty of merchantability and the warranty of fitness for a particular purpose. Minuteman assumes no responsibility for any special, incidental or consequential damages.

This limited warranty is applicable only in the U.S.A. and Canada, and is extended only to the original user/purchaser of this product. Customers outside the U.S.A. and Canada should contact their local distributor for export warranty policies. Minuteman is not responsible for costs or repairs performed by persons other than those specifically authorized by Minuteman. This warranty does not apply to damage from transportation, alterations by unauthorized persons, misuse or abuse of the equipment, use of non-compatible chemicals, or damage to property, or loss of income due to malfunctions of the product.

If a difficulty develops with this machine, you should contact the dealer from whom it was purchased.

This warranty gives you specific legal rights, and you may have other rights which vary from state to state. Some states do not allow the exclusion or limitation of special, incidental or consequential damages, or limitations on how long an implied warranty lasts, so the above exclusions and limitations may not apply to you.

Cord Electric Group..... Three years parts, two years labor, ninety days travel (Not to exceed two hours)
Exceptions..... Port-A-Scrub, one year parts, six months labor
MPV 13, one year parts
MPV 14 and 18, two years parts, one year labor
RapidAir blower, one year parts, one year labor
Explosion-Proof Vacuum, one year parts, one year labor
Pneumatic Vacuums, three years parts, one year labor
EX 12 and EX12H, one year parts, one year labor

Battery Operated Group..... Three years parts, two years labor, ninety days travel
(Not to exceed two hours)
Exceptions..... Sweepers, one year parts, one year labor, ninety days travel
(Not to exceed two hours)

Internal Combustion Group....One year parts, one year labor, ninety day travel
(Not to exceed two hours)

Replacement Parts.....Ninety days
Batteries.....0-3 months replacement, 4-12 months pro-rate
Polypropylene Plastic Tanks... Ten years, no additional labor